

# User Manual

by **SEGWAY**

製造商保留在任何時候更改產品、發佈軟體更新以及更新本手冊的權利。請登錄 [www.segway.com](http://www.segway.com) 或訪問 App 以下載最新的使用者資料。您需要安裝 App，啟動您的滑板車，並獲取最新的更新資訊和安全使用指引資訊。

[www.segway.com](http://www.segway.com)

V1.3

**ninebot<sup>®</sup> KickScooter**

ANSI/CAN/UL-2272 certified; ANSI/UL 2271 certified  
Visite [www.segway.com](http://www.segway.com) para baixar o manual do usuário  
Original Instructions

## Contents

1 Riding Safety	02
2 Packing List	04
3 Diagram	05
4 Assembling Your KickScooter	06
5 Installing a Second Battery Pack	07
6 First Ride	08
7 Charging	09
8 Learning to Ride	09
9 Warnings	11
10 Folding and Carrying	15
11 Maintenance	16
12 Specifications	17
13 Certifications	18
14 Trademark and Legal Statement	20
15 Contact	21

Thanks for choosing the Ninebot KickScooter ES series!

Thanks for choosing the Ninebot KickScooter (hereinafter referred to as KickScooter)!

Your KickScooter is a fashionable transportation device with mobile app, allowing you to connect with other riders.

Enjoy your ride and connect with riders world wide!



**▲ WARNING!**

Always use both electric brake and foot brake for emergency stopping. Otherwise you risk falls and/or collisions from not achieving the max. braking capability.

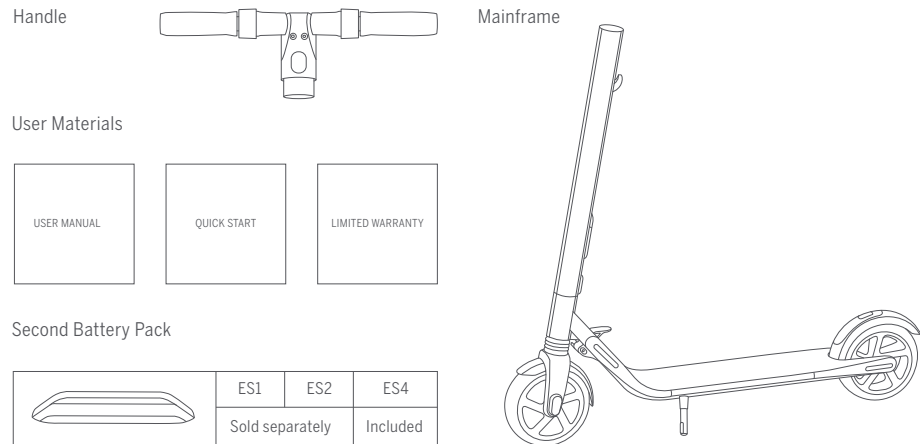
# 1 Riding Safety

1. The KickScooter is a recreational transporter. Before mastering riding skills, you need to practice. Neither Ninebot Inc. (means Ninebot (Beijing) Tech Co., Ltd. and its subsidiaries and affiliates) nor Segway Inc. is responsible for any injuries or damage caused by a rider's inexperience or failure to follow the instructions in this document.
2. Please understand that you can reduce the risk by following all the instructions and warnings in this manual, but you cannot eliminate all the risks. Remember that whenever you ride the KickScooter you risk injury from loss of control, collisions, and falls. When entering into public spaces always comply with the local laws and regulations. As with other vehicles, faster speeds require longer braking distance. Sudden braking on low traction surfaces could lead to wheel slip, or falls. Be cautious and always keep a safe distance between you and other people or vehicles when riding. Be alert and slow down when entering unfamiliar areas.
3. Always wear a helmet when riding. Use an approved bicycle or skateboard helmet that fits properly with the chin strap in place, and provides protection for the back of your head.
4. Do not attempt your first ride in any area where you might encounter children, pedestrians, pets, vehicles, bicycles, or other obstacles and potential hazards.
5. Respect pedestrians by always yielding the right of way. Pass on the left whenever possible. When approaching a pedestrian from the front, stay to the right and slow down. Avoid startling pedestrians. When approaching from behind, announce yourself and slow down to walking speed when passing. Please obey local traffic laws and regulations if situation is different.
6. In places without laws comply with the safety guidelines outlined in this manual. Neither Ninebot Inc. nor Segway Inc. is responsible for any property damage, personal injury/death, accidents, or legal disputes caused by violations of the safety instructions.
7. Do not allow anyone to ride your KickScooter on his/her own unless they have carefully read this manual and followed the New Rider Tutorial in the App. The safety of new riders is your responsibility. Assist new riders until they are comfortable with the basic operation of the KickScooter. Make sure each new rider wears a helmet and other protective gear.
8. Before each ride check for loose fasteners and damaged components. If the KickScooter makes abnormal sounds or signals an alarm, immediately stop riding. Diagnose your KickScooter via the Segway-Ninebot App and call your dealer/distributor for service.
9. Be alert! Scan both far ahead and in front of your KickScooter — your eyes are your best tool for safely avoiding obstacles and low traction surfaces (including, but not limited to, wet ground, loose sand, loose gravel, and ice).
10. To reduce risk of injury, you must read and follow all "CAUTION" and "WARNING" notices in this document. Do not ride at an unsafe speed. Under no circumstance should you ride on roads with motor vehicles. The manufacturer recommends riders be 14+ years

old. Always follow these safety instructions:

- A. People who should not ride the KickScooter include:
    - i. Anyone under the influence of alcohol or drugs.
    - ii. Anyone who suffers from disease that puts them at risk if they engage in strenuous physical activity.
    - iii. Anyone who has problems with balance or with motor skills that would interfere with their ability to maintain balance.
    - iv. Anyone whose weight is outside the stated limits (see Specifications).
    - v. Pregnant women.
  - B. Riders under the age of 18 years old should ride under adult supervision.
  - C. Comply with local laws and regulations when riding this product. Do not ride where prohibited by local laws.
  - D. To ride safely, you must be able to clearly see what is in front of you and you must be clearly visible to others.
  - E. Do not ride in the snow, in the rain, or on roads which are wet, muddy, icy, or that are slippery for any reason. Do not ride over obstacles (sand, loose gravel, or sticks). Doing so could result in a loss of balance or traction and could cause a fall.
11. Do not attempt to charge your KickScooter if it, the charger, or the power outlet is wet.
  12. As with any electronic device, use a surge protector when charging to help protect your KickScooter from damage due to power surges and voltage spikes. Only use the Segway supplied charger. Do not use a charger from any other different product models.
  13. Use only Ninebot or Segway approved parts and accessories. Do not modify your KickScooter. Modifications to your KickScooter could interfere with the operation of the KickScooter, could result in serious injury and/or damage, and could void the Limited Warranty.

## 2 Packing List



### Accessories

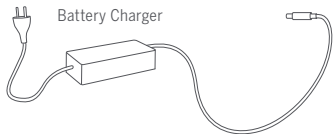
M5 Flathead Screw x 5  
(one extra)



3mm Hex Wrench



Battery Charger

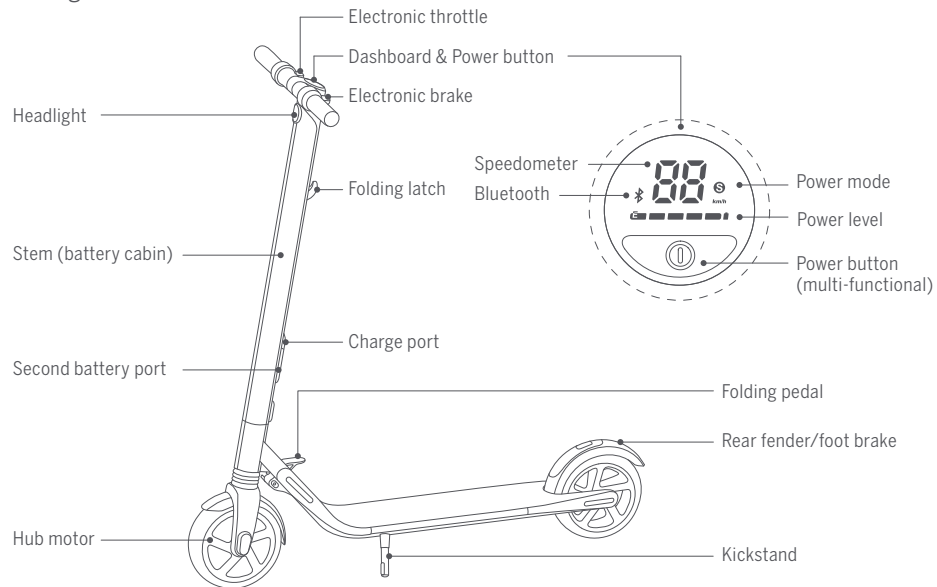


When unboxing your KickScooter, please verify that the above items are included in the package. If you are missing any components, please contact your dealer/distributor or nearest service center (see contacts in the user manual). After verifying that all components are present and in good condition, you can assemble your new KickScooter.

Please retain the box and packaging materials in case you need to ship your KickScooter in the future.

Remember to power off your KickScooter and unplug the charge cable before assembling, mounting accessories, or cleaning the mainframe.

## 3 Diagram



### Dashboard & Power Button

**Speedometer:** Indicates the current speed. Also displays error codes when faults are detected.

**Power level:** Indicates the remaining battery level with 5 bars. Each bar equates to approximately 20% power level.

**Power mode** (double click the power button to switch the mode):

—Red "S" icon: Sport mode (maximum power/speed and reduced range).

—White "S" icon: Standard mode (moderate power/speed and range).

—No "S" icon: Speed limit mode (minimum power/speed and increased range).

**Bluetooth:** A blinking Bluetooth icon indicates that the vehicle is ready to connect. A solid Bluetooth icon indicates that the vehicle is connected to a mobile device.

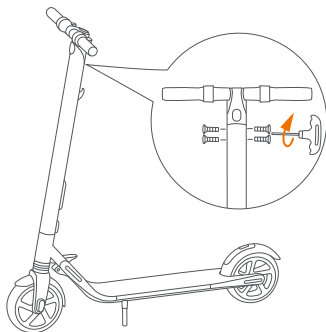
**Power button:** Short press to power on. Long press to power off. When powered on, single click to turn on/off the headlight. Double-click to change power mode.

## 4 Assembling Your KickScooter

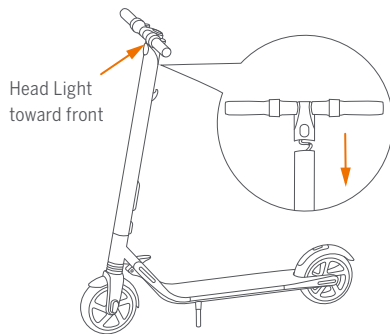
1. Unfold the stem and push it until you hear a click. Then unfold the kickstand to support the scooter.



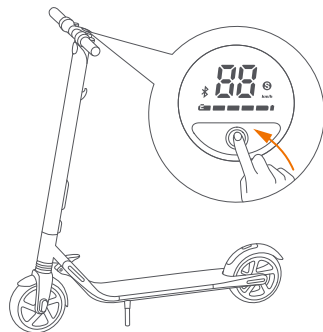
3. Install four screws (two on each side) with the included hex wrench.



2. Firmly connect the wires inside the handle and the stem. Slide the handle onto the stem. Be aware of the correct orientation.



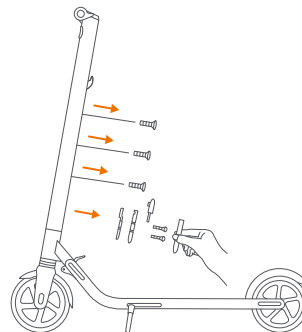
4. Verify that your KickScooter powers on and off.



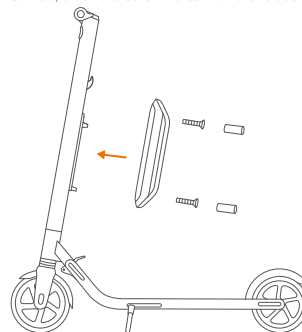
## 5 Installing a Second Battery Pack ⚠ Warning: please use the screws provided with this product only.

Follow these steps when installing a second battery pack:

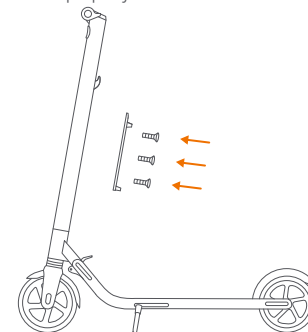
1. Remove the three screws on the stem, as shown. Then remove the cover near the charge port.



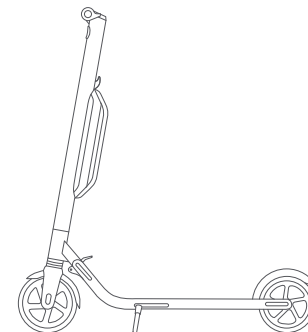
3. Install the external battery on the rail and fix it with the M4 (20mm) screws (2 pcs), provided with this product. After they are properly installed, block the screw holes with the rubber stopper.



2. Install the rail with the M4 (10mm) screws (3 pcs), provided with this product. Please make sure it is properly fixed.



4. Verify that your KickScooter powers on and off.



## 6 First Ride

⚠ There are safety risks when learning to ride the KickScooter. You must read the Safety Instructions via the App before your first ride.

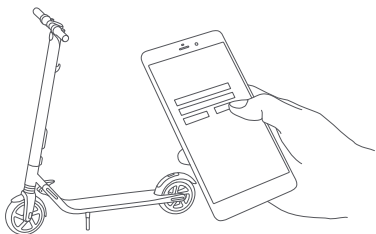
For your safety, your new KickScooter is not activated and will beep occasionally after Power ON.

Until activated, the KickScooter maintains a very low riding speed, and can not be ridden with full function. Install the App on your mobile device (with Bluetooth 4.0 or above), connect to the KickScooter with Bluetooth, and follow the App instructions to activate your KickScooter and enjoy the full performance.

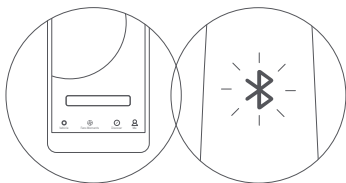
Scan the QR code to download the App (iOS 8.0 or above, Android™ 4.3 or above).



- 1 Install the App and register/login.

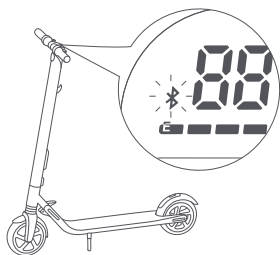


- 3 Click "Vehicle" → "Search device" to connect to your KickScooter. The KickScooter will beep when the connection is successful. The Bluetooth icon will stop blinking and remain illuminated.

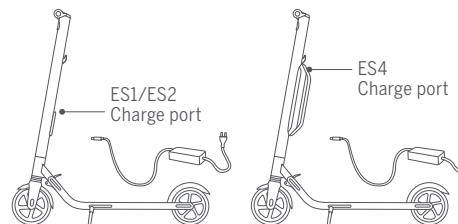


- 4 Follow the App instructions to activate the KickScooter and learn how to ride safely. You can now start to use your KickScooter, check the status with App, and interact with other users. Have fun!

- 2 Power on the KickScooter. A blinking Bluetooth icon indicates the KickScooter is waiting for a connection.



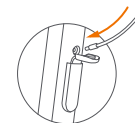
## 7 Charging



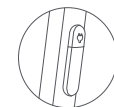
Charging step tips



Open the charge port cover.



Insert the charge plug.



Close the charge port cover when finished.

### ⚠ WARNING

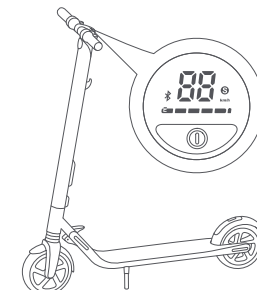
Do not connect the charger if the charge port or charge cable is wet.

Your KickScooter is fully charged when the LED on the charger changes from red (charging) to green (trickle charge). Close the charge port cover when not charging.

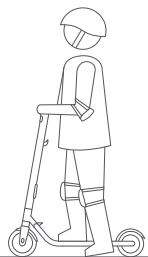
## 8 Learning to Ride



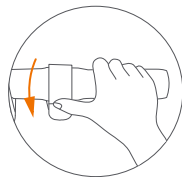
Wear an approved helmet and other protective gear to minimize any possible injury.



1. Power on the scooter and check the indicator lamp power level. Charge the scooter if the battery level is low.

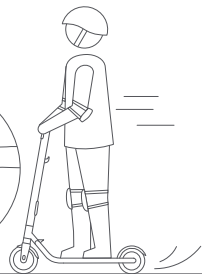
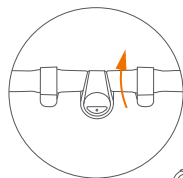


2. Stand on the footrest with one foot and push off with your foot to start gliding.

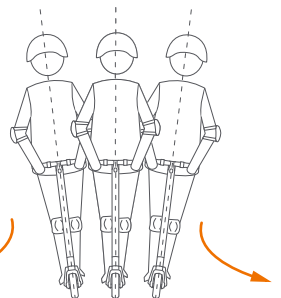


3. Put your other foot on the footrest to keep both feet stable. Press the throttle on right hand to speed up when you are balanced.

Note. For your safety, the motor will not engage until the scooter reaches 1.8 mph (3 km/h).



4. Slow down by releasing the throttle; stir the brake handle thumb shifter quickly and stamp the fender with foot at the same time to trigger mechanical braking in order to make a sharp brake.



5. To turn, shift your body weight and turn the handle slightly.

**⚠ WARNING**

When braking rapidly you risk serious injury due to loss of traction and falls. Maintain a moderate speed and look out for potential hazards.

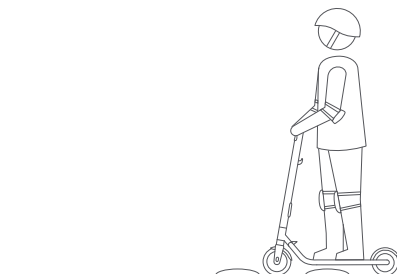
## 9 Warnings

**⚠ WARNING**

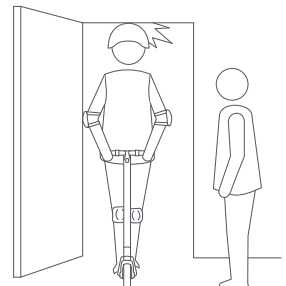
Failure to follow these instructions could lead to serious injury.



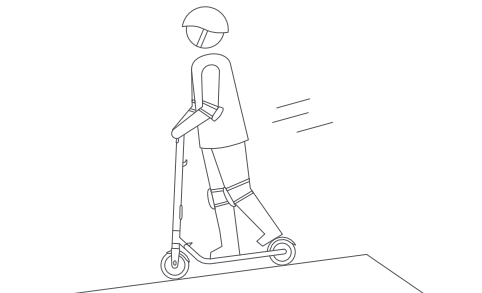
**⚠** DO NOT ride the scooter in the rain.



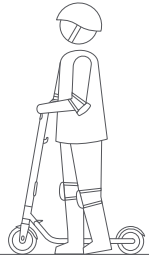
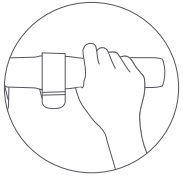
**⚠** DO NOT ride over speed bumps, thresholds, or other bumps at HIGH SPEED.



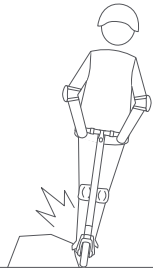
**⚠** Watch your head when passing through doorways.



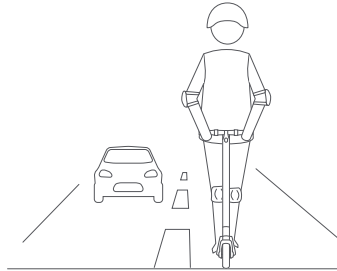
**⚠** Watch your speed when traveling downhill. Use both brakes together when traveling at high speed.



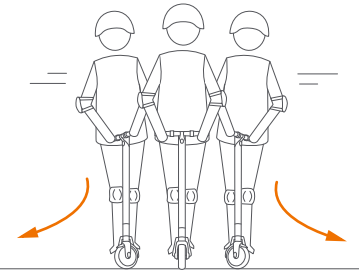
**!** DO NOT press the throttle when walking with the scooter.



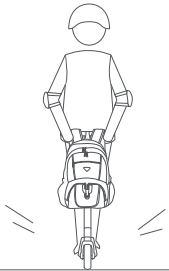
**!** Avoid contacting obstacles with the tire/wheel.



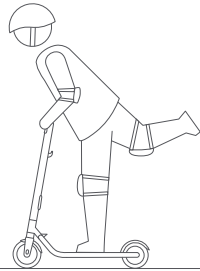
**!** DO NOT ride on public roads, motorways, or highways.



**!** DO NOT rotate the handle violently while driving at high speed.



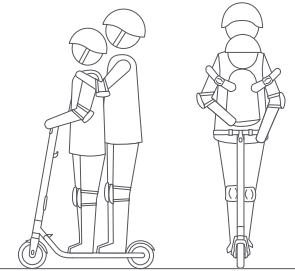
**!** DO NOT carry heavy objects on the handlebar.



**!** DO NOT ride the scooter with only one foot.



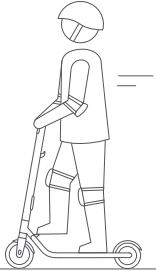
**!** DO NOT ride through puddles or other bodies of water deeper than 1 inch (2 cm).



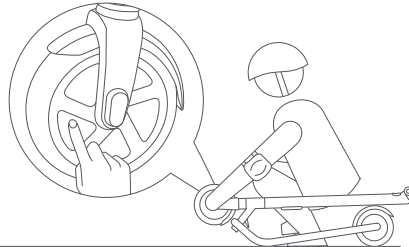
**!** The KickScooter is for one rider only. Do not ride double or carry any passengers. Do not carry a child.



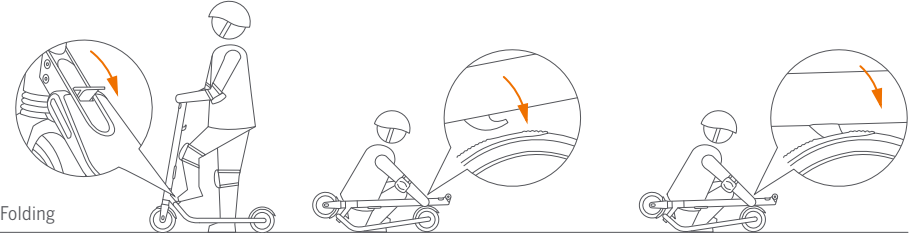
## 10 Folding and Carrying



**⚠** DO NOT step on the folding pedal while riding.



**⚠** DO NOT touch the hub motor after riding because it can get hot.

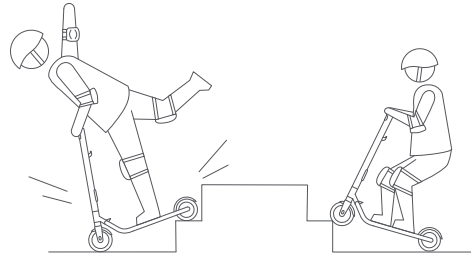


Folding

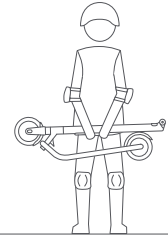
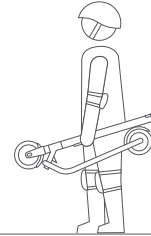
Step on the folding pedal while pushing the handlebar forward slightly. Then fold the handlebar down until it locks into the rear fender.



**⚠** DO NOT take your hands off the handlebar while riding. Do not ride with one hand only.



**⚠** DO NOT ride up and down stairs or jump over obstacles.



Carrying

When your KickScooter is folded up, simply lift it by the stem to carry.

**⚠ WARNING**  
Always keep both hands on the handlebar or you risk serious injury due to loss of balance and falls.

## 11 Maintenance

### Cleaning and Storage

Use a soft, wet cloth to wipe the mainframe clean. Hard to remove dirt can be scrubbed with a toothbrush and toothpaste, then cleaned with a soft, wet cloth. Scratches on plastic parts can be polished with fine grit abrasive paper.

### NOTE

Do not wash your KickScooter with alcohol, gasoline, acetone, or other corrosive/volatile solvents. These substances may damage the appearance and internal structure of your KickScooter. Do not wash your KickScooter with a power washer or hose.

### WARNING

Make sure the KickScooter is powered OFF, the charging cable is unplugged, and the rubber cap on the charge port is tightly sealed before cleaning; otherwise you may damage the electronic components.

Store your KickScooter in a cool, dry place. Do not store it outdoors for extended periods of time. Exposure to sunlight and temperature extremes (both hot and cold) will accelerate the aging process of the plastic components and may reduce battery life.

### Battery Pack Maintenance

Do not store or charge the battery at temperatures outside the stated limits (see Specifications). Do not puncture the battery. Refer to your local laws and regulations regarding battery recycling and/or disposal.

A well maintained battery can perform well even after many miles of riding. Charge the battery after each ride and avoid draining the battery completely. When used at room temperature (70°F [22°C]) the battery range and performance is at its best; whereas using it at temperatures below 32°F (0°C) can decrease range and performance. Typically, at -4°F (-20°C) range can be half that of the same battery at 70°F (22°C). Battery range will recover when temperature rises. More details are available in the App.

### NOTE

Typically, a fully charged battery should retain charge for 120-180 days in Standby Mode. A low-power battery should retain charge for 30-60 days in Standby Mode. Remember to charge the battery after each use. Completely draining the battery may cause permanent damage to the battery. Electronics inside the battery record the charge-discharge condition of the battery; damage caused by over-discharge or under-discharge will not be covered by the Limited Warranty.

### WARNING

Do not attempt to disassemble the battery. Risk of fire. No user serviceable parts.

### WARNING

Do not ride when the ambient temperature is outside the machine operation temperature (see Specifications) because low/high temperature will limit the maximum power/torque. Doing so could cause personal injury or property damage due to slips or falls.

## 12 Specifications

	Item	ES1	ES2	ES4
Dimensions	Unfold: Length x Width x Height	40x17x45 in (102x43x113 cm)		
	Fold: Length x Width x Height	45x17x13 in (113x43x32 cm)		
Weight	Net	24.9 lbs (11.3 kg)	27.6 lbs (12.5 kg)	30.9 lbs (14.0 kg)
	Payload	55–220 lbs (25–100 kg)		
Rider	Recommended Age	14+ years		
	Required Height	3' 11"–6' 6" (120–200 cm)		
	Max. Speed	12.4 mph (20 km/h)	15.5 mph (25 km/h)	18.6 mph (30 km/h)
Machine Parameters	Typical Range <sup>[1]</sup>	15.5 miles (25 km)	15.5 miles (25 km)	28.0 miles (45 km)
	Max. Slope	10%	10%	15%
	Traversable Terrain	asphalt/flat pavement; obstacles < 0.4 in (1 cm); gaps < 1.2 in (3 cm)		
	Operating Temperature	14–104°F (-10–40°C)		
	Storage Temperature	-4–122°F (-20–50°C)		
	IP Rating	IP54		
	Battery	Nominal Voltage	36 VDC	
Max. Charging Voltage		42 VDC		
Charging Temperature		32–104°F (0–40°C)		
Nominal Capacity		187 Wh	187 Wh	374 Wh
Battery Management System		Over-heating, short circuit, over-current and over-charge protection		
Number Of Batteries <sup>[2]</sup>		1	1	2
Motor	Nominal Power	250 W	300 W	300 W
	Max. Power	500 W	700 W	800 W
Charger	Output Power	71 W		
	Input Voltage	100-240 VAC		
	Output Voltage	42 VDC		
	Output Current	1.7 A		
	Duration of Charging	3.5 h	3.5 h	7 h
Features	Shock Absorber	front	front & rear	
	Brake Light	reflector	LED rear light	
	Atmosphere Light	N/A	Customizable colour	
	Riding Modes	Speed limit mode, Standard mode and Sport mode		

[1] Typical Range: tested while riding under full power, 165 lbs (75 kg) load, 77°F (25°C), 60% of max. speed on average on pavement.

[2] All KickScooter models could install the second battery. Some of the parameters would change in this case.

## 13 Certifications

This product has been tested to and passed ANSI/CAN/UL-2272.

The battery complies with UN/DOT 38.3.

The second battery pack complies with ANSI/UL 2271 and UN/DOT 38.3.

### Federal Communications Commission (FCC) Compliance Statement for USA

This device complies with part 15 of the FCC rules. Operation is subject to the following two conditions: (1) This device may not cause harmful interference, and (2) this device must accept any interference received, including interference that may cause undesired operation.

#### NOTE

This equipment has been tested and found to comply with the limits for a Class B digital device, pursuant to part 15 of the FCC Rules. These limits are designed to provide reasonable protection against harmful interference in a residential installation. This equipment generates, uses and can radiate radio frequency energy and, if not installed and used in accordance with the instructions, may cause harmful interference to radio communications. However, there is no guarantee that interference will not occur in a particular installation. If this equipment does cause harmful interference to radio or television reception, which can be determined by turning the equipment off and on, the user is encouraged to try to correct the interference by one or more of the following measures:

- Reorient or relocate the receiving antenna.
- Increase the separation between the equipment and receiver.
- Connect the equipment into an outlet on a circuit different from that to which the receiver is connected.
- Consult the dealer or an experienced radio/TV technician for help.

This equipment complies with FCC radiation exposure limits set forth for an uncontrolled environment.

### Industry Canada (IC) Compliance Statement for Canada

This device complies with Industry Canada license-exempt RSS standard (s). Operation is subject to the following two conditions: (1) this device may not cause interference, and (2) this device must accept any interference, including interference that may cause undesired operation of the device.

CAN ICES-3 (B)/NMB-3(B)

Neither Segway Inc. nor Ninebot is responsible for any changes or modifications not expressly approved by Segway Inc. or Ninebot. Such modifications could void the user's authority to operate the equipment.

For model: ES1/ES2/ES4

FCC ID: 2ALS8-NT9527

IC: 22636-NT9527

### European Union Compliance Statement

#### Battery recycling information for the European Union



Batteries or packaging for batteries are labeled in accordance with European Directive 2006/66/EC concerning batteries and accumulators and waste batteries and accumulators. The Directive determines the framework for the return and recycling of used batteries and accumulators as applicable throughout the European Union. This label is applied to various batteries to indicate that the battery is not to be thrown away, but rather reclaimed upon end of life per this Directive.

In accordance with the European Directive 2006/66/EC, batteries and accumulators are labeled to indicate that they are to be collected separately and recycled at end of life. The label on the battery may also include a chemical symbol for the metal concerned in the battery (Pb for lead, Hg for mercury, and Cd for cadmium). Users of batteries and accumulators must not dispose of batteries and accumulators as unsorted municipal waste, but use the collection framework available to customers for the return, recycling, and treatment of batteries and accumulators. Customer participation is important to minimize any potential effects of batteries and accumulators on the environment and human health due to the potential presence of hazardous substances.

#### Restriction of Hazardous Substances Directive (RoHS)

Ninebot products sold in the European Union, on or after 3 January 2013 meet the requirements of Directive 2011/65/EU on the restriction of the use of certain hazardous substances in electrical and electronic equipment ("RoHS recast" or "RoHS 2").

#### Radio and Telecommunications Terminal Equipment Directive



#### Segway Europe B.V.

EU Contact Address for regulatory topics only: Hogehilweg 8, 1101CC Amsterdam, The Netherlands.

Hereby, Ninebot (Changzhou) Tech Co., Ltd, declares that the wireless equipment listed in this section are in compliance with the essential requirements and other relevant provisions of Directive 2014/53/EU.

## 14 Trademark and Legal Statement

Ninebot and the shape icon are trademarks of Ninebot (Tianjin) Tech. Co., Ltd; Segway is the registered trademark of Segway Inc.; Android, Google Play are trademarks of Google Inc. App Store is a service mark of Apple Inc. The respective owners reserve the rights of their trademarks referred to in this manual.

The KickScooter is covered by relevant patents. For patent information go to <http://www.segway.com>.

We have attempted to include descriptions and instructions for all the functions of the KickScooter at the time of printing. However, your KickScooter may differ slightly from the one shown in this document. Visit the Apple App Store (iOS) or the Google Play Store (Android) to download and install the App.

Please note that there are multiple Segway and Ninebot models with different functions, and some of the functions mentioned herein may not be applicable to your unit. The manufacturer reserves the right to change the design and functionality of the KickScooter product and documentation without prior notice.

© 2017 Ninebot (Beijing) Tech Co. Ltd. All rights reserved.

## 15 Contact

Contact us if you experience issues relating to riding, maintenance and safety, or errors/faults with your KickScooter.

### **Americas:**

#### **Segway Inc.**

14 Technology Drive, Bedford, NH 03110, USA

Tel : 1-603-222-6000

Fax: 1-603-222-6001

Toll Free: 1-866-473-4929

E-mail Sales: [customeroperation@segway.com](mailto:customeroperation@segway.com)

E-mail Service: [technicalsupport@segway.com](mailto:technicalsupport@segway.com)

Website: [www.segway.com](http://www.segway.com)

### **Europe, Middle East and Africa:**

#### **Segway Europe B.V.**

Hogehilweg 8, 1101CC Amsterdam, The Netherlands

Email service: [service@segway.eu.com](mailto:service@segway.eu.com)

Website: [www.segway.com](http://www.segway.com)

Have your KickScooter serial number on hand when contacting Segway.

You can find your serial number on the underside of your KickScooter or in the App under More Settings -> Basic Information.

# Manuel utilisateur

by **SEGWAY**

The manufacturer reserves the right to make changes to the product, release firmware updates, and update this manual at any time. Visit [www.segway.com](http://www.segway.com) or check the App to download the latest user materials. You must install the App, activate your KickScooter, and obtain the latest updates and safety instructions.

[www.segway.com](http://www.segway.com)

**ninebot<sup>®</sup> KickScooter**

Certifié ANSI/CAN/UL-2272 ; certifié ANSI/UL 2271

Traduction des instructions originales

## Sommaire

1 Sécurité	02
2 Liste d'emballage	04
3 Diagramme	05
4 Assemblage de votre KickScooter	06
5 Installation d'une seconde batterie	07
6 Première utilisation	08
7 Charge	09
8 Apprendre à conduire	09
9 Avertissements	11
10 Repliement et	15
11 Entretien	16
12 Spécifications	17
13 Certifications	18
14 Marque commerciale et déclaration juridique	20
15 Contact	21

## Nous vous remercions d'avoir choisi la série Ninebot KickScooter ES!

Nous vous remercions d'avoir choisi le Ninebot KickScooter (ci-après dénommé KickScooter)!

Votre KickScooter est un dispositif de transport élégant avec une application mobile vous permettant de vous connecter à d'autres conducteurs.

Savourez le trajet et connectez-vous à des conducteurs à travers le monde!



### ▲ AVERTISSEMENT!

Utilisez toujours le frein électrique et la pédale de frein ensemble pour les arrêts d'urgence. Sinon, vous n'atteindrez pas la capacité de freinage maximum ce qui pourrait provoquer une chute et/ou une collision.

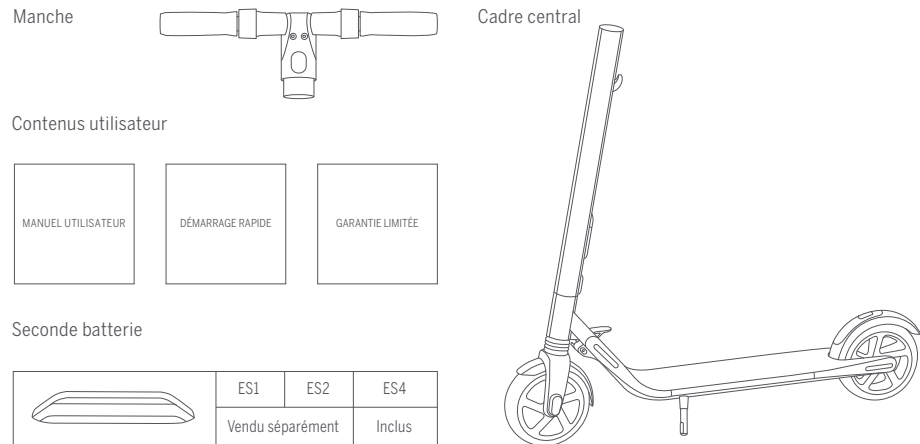
# 1 Sécurité

1. Le KickScooter est un dispositif de transport conçu pour la récréation. En maîtriser la conduite demande de l'entraînement. Ninebot Inc. et Segway Inc. déclinent toute responsabilité en cas de blessure ou dommage causé par le manque d'expérience d'un conducteur ou par le non-respect des instructions contenues dans ce document.
2. Veuillez noter qu'il est possible de réduire les risques en suivant l'ensemble des instructions et avertissements contenus dans ce manuel, mais qu'il n'est pas possible d'éliminer tous les risques. Rappelez-vous que lorsque vous utilisez le KickScooter, vous vous exposez à un risque de blessure en cas de perte de contrôle, collision ou chute. Lorsque vous pénétrez des espaces publics, conformez-vous toujours aux lois et règlements applicables. Comme pour les autres véhicules, la distance nécessaire au freinage augmente avec la vitesse. Un freinage brusque sur des surfaces à faible adhérence peut entraîner un patinage des roues ou une chute. Soyez prudents et conservez toujours une distance suffisante entre vous et les autres personnes ou véhicules lorsque vous conduisez. Soyez attentifs et ralentissez lorsque vous pénétrez des lieux qui ne vous sont pas familiers.
3. Portez toujours un casque lorsque vous conduisez. Utilisez un casque homologué pour vélo ou skateboard, de taille adaptée, avec la mentonnière en place, protégeant l'arrière de votre tête.
4. Ne réalisez pas votre premier essai dans un lieu où vous pourriez rencontrer des enfants, des piétons, des animaux de compagnie, des véhicules, des cyclistes ou d'autres obstacles et dangers potentiels.
5. Respectez les piétons en leur laissant toujours la priorité. Doublez à gauche si possible. Lorsque vous approchez un piéton de l'avant, restez à droite et ralentissez. Évitez de surprendre les piétons. Lorsque vous approchez par derrière, annoncez-vous et ralentissez de sorte à atteindre une vitesse de marche pour doubler. Dans les autres situations, veuillez respecter les lois et règlements concernant la circulation routière.
6. Dans les lieux où les lois ne s'appliquent pas, respectez les consignes de sécurité présentées dans ce manuel. Ninebot Inc. et Segway Inc. déclinent toute responsabilité en cas de dommages matériels, dommages corporels / décès, accidents ou litiges juridiques résultant de violations des consignes de sécurité.
7. Ne permettez à personne d'utiliser votre KickScooter seul à moins qu'il ou elle n'est lu attentivement ce manuel et suivi le tutoriel Nouveau conducteur dans l'application. La sécurité des nouveaux utilisateurs relève de votre responsabilité. Aidez les nouveaux utilisateurs jusqu'à ce qu'ils soient à l'aise avec le maniement de base du KickScooter. Assurez-vous que chaque nouvel utilisateur porte un casque et d'autres équipements de protection.
8. Avant chaque utilisation, assurez-vous qu'il n'y ait pas de fixations desserrées et de composants endommagés. Si le KickScooter produit des bruits anormaux ou émet une alarme, cessez immédiatement l'utilisation. Effectuez un diagnostic de votre

KickScooter via l'application Segway-Ninebot et appelez votre revendeur /-distributeur pour la réparation.

9. Soyez attentifs ! Regardez au loin et devant votre KickScooter : vos yeux sont votre meilleur outil sécurité pour éviter les obstacles et les surfaces à faible traction (y compris, mais sans s'y limiter, les sols mouillés, le sable, le gravier et le verglas).
10. Pour réduire le risque de blessure, vous devez lire et suivre tous les avis « ATTENTION » et « AVERTISSEMENT » dans ce document. Ne conduisez pas à une vitesse dangereuse. Vous ne devez conduire en aucune circonstance sur la route avec des véhicules motorisés. L'âge recommandé par le fabricant est de 14+ ans. Suivez toujours les consignes de sécurité :
  - A. Les personnes devant s'abstenir de conduire le KickScooter incluent :
    - i. Toute personne se trouvant sous l'emprise de l'alcool ou de drogues.
    - ii. Toute personne souffrant d'une maladie qui la met en danger lorsqu'elle pratique une activité physique intense.
    - iii. Toute personne ayant des problèmes d'équilibre ou d'habileté motrice pouvant lui faire perdre l'équilibre.
    - iv. Toute personne dont le poids est en dehors des limites indiquées (voir Spécifications).
    - v. Les femmes enceintes.
  - B. Les conducteurs de moins de 18 ans doivent être supervisés par un adulte.
  - C. Conformez-vous aux lois et règlements applicables lorsque vous utilisez ce produit. Ne conduisez pas sur des sites interdits par les lois applicables.
  - D. Pour conduire de manière sûre, vous devez être en mesure de voir clairement ce qui se trouve devant vous et vous devez être clairement visible pour les autres.
  - E. Ne conduisez pas dans la neige ou sous la pluie ou sur des chaussées mouillées, boueuses, glacées ou glissantes, pour quelque raison que ce soit. Ne conduisez pas sur des obstacles (sable, gravier ou bouts de bois). Cela pourrait causer une perte d'équilibre ou de traction pouvant entraîner une chute.
11. N'essayez pas de charger votre KickScooter si ce dernier, le chargeur ou la prise de courant est mouillé(e).
12. Comme pour tout appareil électronique, utilisez un dispositif antisurtension lors de la charge pour protéger votre KickScooter de tout dommage dû aux pics d'intensité et pointes de tension. Utilisez uniquement le chargeur fourni par Segway. N'utilisez pas de chargeur conçu pour un modèle différent.
13. Utilisez uniquement des pièces et accessoires homologué(e)s par Ninebot ou Segway. Ne modifiez pas votre KickScooter. Le fait d'apporter des modifications à votre KickScooter peut nuire au bon fonctionnement du KickScooter, peut entraîner des blessures et /ou dommages graves et peut entraîner la révocation de la Garantie limitée.

## 2 Liste d'emballage



### Accessoires

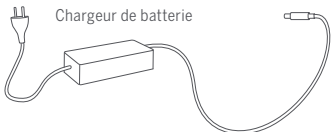
Vis M5 Flathead x 5  
(une de rechange)



Clé hexagonale 3mm



Chargeur de batterie

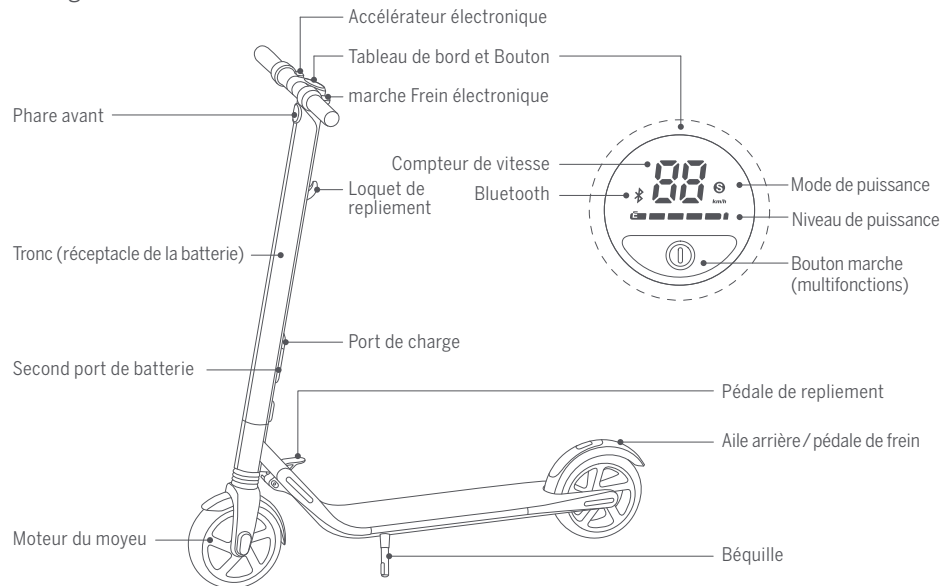


Lorsque vous déballez votre KickScooter pour la première fois, veuillez vérifier que les articles ci-dessus sont inclus dans l'emballage. S'il vous manque des composants, veuillez contacter votre revendeur / distributeur ou le centre de service le plus proche (voir la section Contacts du manuel utilisateur). Après avoir vérifié que tous les composants sont présents et en bon état, vous pouvez assembler votre nouveau KickScooter.

Veuillez conserver la boîte et l'emballage au cas où vous auriez besoin de faire expédier votre KickScooter à l'avenir.

Rappelez-vous d'éteindre votre KickScooter et de débrancher le câble du chargeur avant l'assemblage, le montage des accessoires ou le nettoyage de la pièce centrale.

## 3 Diagramme



### Tableau de bord et Bouton marche

Compteur de vitesse : Indique la vitesse actuelle. Affiche également les codes d'erreur lorsque des problèmes sont détectés.

Niveau de puissance : Indique le niveau de batterie restant avec 5 barres. Chaque barre correspond approximativement à un niveau de puissance de 20%.

Mode de puissance (effectuez un double clic sur le bouton marche pour changer le mode) :

- Icône rouge « S » : Mode Sport (puissance / vitesse maximales et autonomie réduite).
- Icône blanche « S » : Mode Standard (puissance / vitesse et autonomie modérées).
- Pas d'icône « S » : Mode Vitesse limitée (puissance / vitesse minimales et autonomie augmentée).

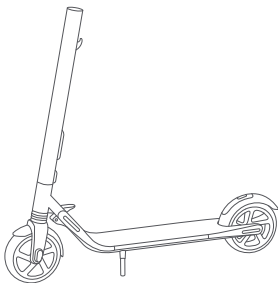
Bluetooth : Une icône Bluetooth clignotante indique que le véhicule est prêt à être connecté. Une icône Bluetooth fixe indique que le véhicule est connecté à un appareil mobile.

Bouton marche : Appuyez brièvement pour allumer. Appuyez longuement pour éteindre. Lorsque l'appareil est allumé, cliquez une fois pour allumer / éteindre le phare avant. Double-cliquez pour modifier le mode de puissance.

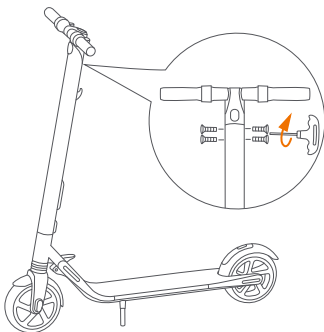


## 4 Assemblage de votre KickScooter

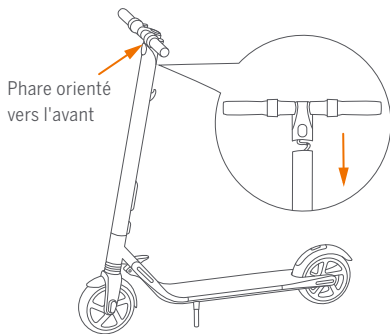
1. Dépliez le tronc et poussez-le jusqu'à ce que vous entendiez un déclic. Dépliez ensuite la béquille pour soutenir le scooter.



3. Installez quatre vis (deux de chaque côté) avec la clé hexagonale incluse.



2. Connectez fermement les câbles à l'intérieur du manche et du tronc. Faites glisser le manche dans le tronc. Assurez-vous de l'orienter correctement.



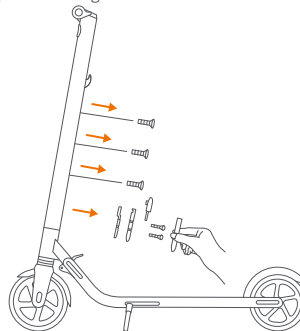
4. Vérifiez que votre KickScooter s'allume et s'éteigne.



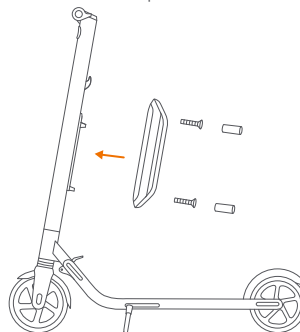
## 5 Installation d'une seconde batterie

Suivez les étapes suivantes pour installer une seconde batterie :

1. Retirez les trois vis sur le tronc, comme indiqué. Retirez ensuite le cache situé près du port de charge.

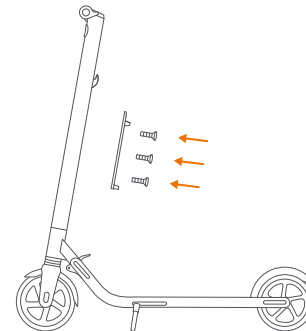


3. Installez la batterie externe sur le port de batterie; fixez-la avec les 2 vis M4 de 20mm pourvues à cet effet avec le produit. Après installation, bloquez les trous de vis avec la protection en caoutchouc.

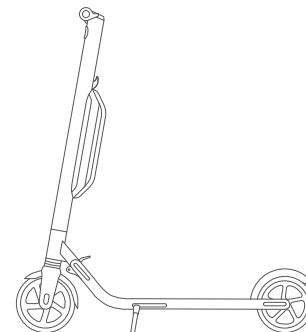


**⚠ Attention : N'utilisez que les vis pourvues à cet effet dans l'emballage.**

2. Installez le port de batterie avec les 3 vis M4 de 10mm pourvues à cet effet avec votre produit. Assurez-vous de la bonne fixation.



4. Vérifiez que votre KickScooter s'allume et s'éteigne.



## 6 Première utilisation

⚠ Le fait d'apprendre à utiliser le KickScooter pose des risques de sécurité. Lisez les consignes de sécurité dans l'application avant votre première utilisation.

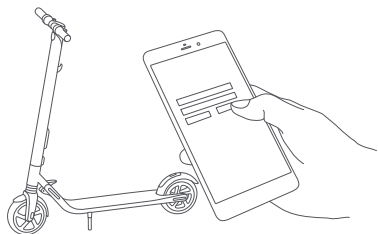


Pour votre sécurité, votre KickScooter n'est pas activé et il émettra occasionnellement un son après l'avoir mis sur ON.

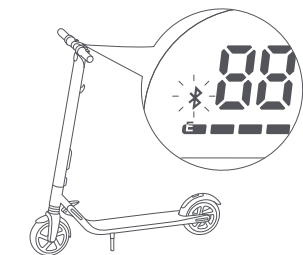
Tant qu'il n'est pas activé, le KickScooter conserve une vitesse de marche très faible et ses pleines fonctionnalités ne peuvent pas être utilisées. Installez l'application sur votre appareil mobile (avec Bluetooth 4.0 ou ultérieur), connectez-le au KickScooter par Bluetooth, et suivez les instructions de l'application pour activer votre KickScooter pour bénéficier de la pleine performance.

Scannez le code QR pour télécharger l'application (iOS 8.0 ou ultérieur, Android™ 4.3 ou ultérieur).

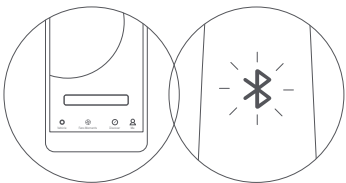
- 1 Installez l'application et inscrivez-vous ou identifiez-vous.



- 2 Allumez le KickScooter. Une icône Bluetooth clignotante indique que le KickScooter est en attente de connexion.

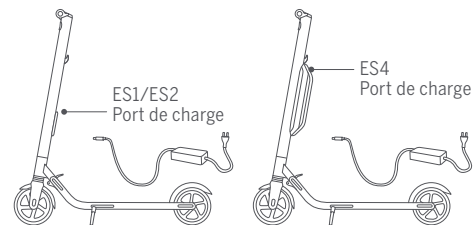


- 3 Cliquez sur « Rechercher appareil » pour vous connecter à votre KickScooter. Le KickScooter émet un son lorsque la connexion est réussie. L'icône Bluetooth arrête de clignoter et reste illuminée.

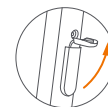


- 4 Suivez les instructions de l'application pour activer le KickScooter et apprenez comment le manier avec prudence. Vous pouvez maintenant commencer à utiliser votre KickScooter, vérifiez le statut dans l'application et interagissez avec les autres utilisateurs. Amusez-vous bien!

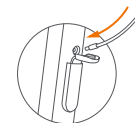
## 7 Charge



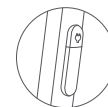
conseils pour l'étape de charge



Ouvrez le cache du port de charge.



Insérez la prise du chargeur.



Fermez le cache du port de charge lorsque vous avez terminé.

### ⚠ AVERTISSEMENT

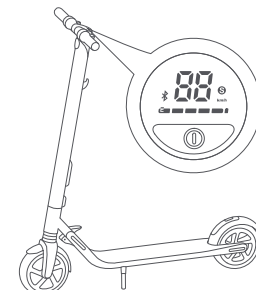
Ne connectez pas le chargeur si le port de charge ou le câble du chargeur est mouillé.

Votre KickScooter est pleinement chargé lorsque la LED sur le chargeur passe du rouge (en charge) au vert (charge de maintien). Fermez le cache du port de charge lorsque le scooter n'est pas en charge.

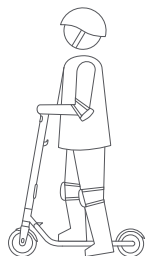
## 8 Apprendre à conduire



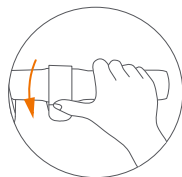
Portez un casque homologué et d'autres équipements de protection pour minimiser toute blessure possible.



1. Allumez le scooter et vérifiez le témoin d'indication du niveau de puissance. Chargez le scooter si le niveau de batterie est faible.

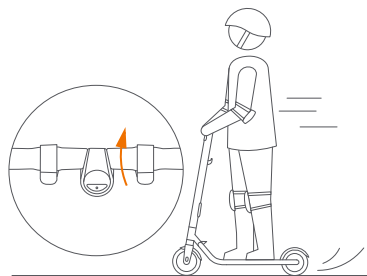


2. Tenez-vous sur l'appui-pieds avec un pied et poussez avec votre autre pied pour commencer à glisser.

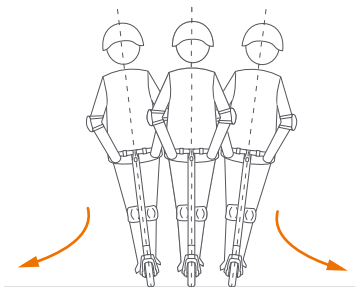


3. Placez votre autre pied sur l'appui-pieds pour assurer la stabilité des deux pieds. Appuyez sur l'accélérateur de la main droite pour accélérer lorsque vous avez trouvé votre équilibre.

Remarque : pour assurer votre sécurité, le moteur ne s'embranchera pas jusqu'à ce que le scooter atteigne la vitesse 3km/h.



4. Ralentissez en lâchant l'accélérateur, appuyez sur la manette de frein avec votre pouce rapidement et tamponnez l'aile avec le pied en même temps pour déclencher le freinage mécanique afin d'effectuer un freinage vif.



5. Pour tourner, déplacez le poids de votre corps et tournez doucement le manche.

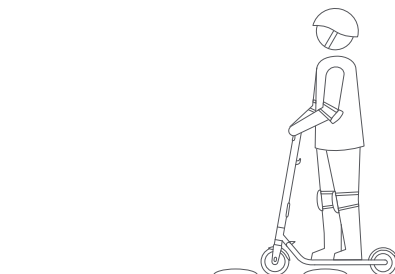
## 9 Avertissements

### ⚠ AVERTISSEMENT

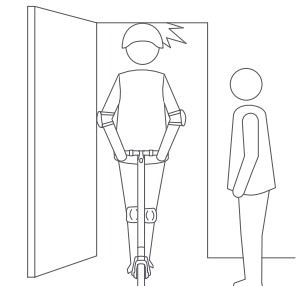
Le fait de ne pas suivre ces instructions peut entraîner des blessures graves.



⚠ Ne conduisez PAS le scooter sous la pluie.



⚠ Ne roulez PAS à HAUTE VITESSE sur des dos-d'âne, des seuils ou d'autres bosses.

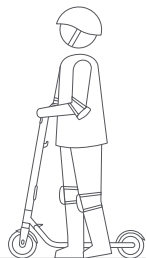
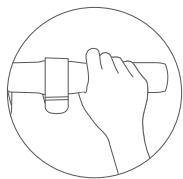


⚠ Faites attention à votre tête lorsque vous passez sous une porte.

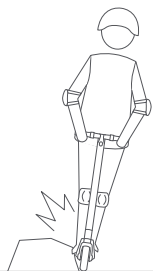


⚠ Faites attention à votre vitesse lorsque vous roulez en descente. Utilisez les deux freins en même temps lorsque vous vous déplacez à grande vitesse.

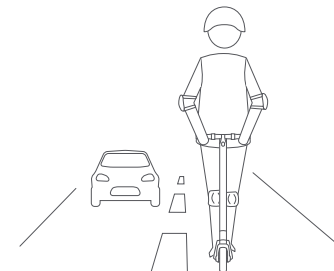
⚠ AVERTISSEMENT  
Un freinage rapide peut poser un risque de blessures sérieuses dues à une perte de traction et une chute. Conservez une vitesse modérée et faites attentions aux dangers potentiels.



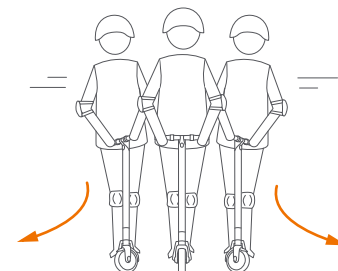
⚠ N'appuyez PAS sur l'accélérateur lorsque vous marchez avec le scooter.



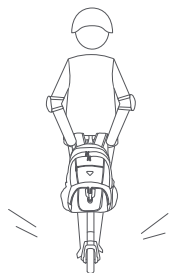
⚠ Évitez tout contact entre le pneu / la roue et des obstacles.



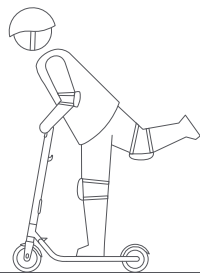
⚠ Ne conduisez PAS sur des voies publiques ou des autoroutes.



⚠ Ne tournez PAS le manche de manière violente lorsque vous conduisez à haute vitesse.



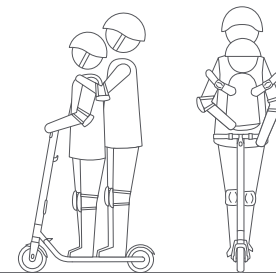
⚠ Ne posez PAS d'objets lourds sur le guidon.



⚠ Ne conduisez PAS le scooter avec un seul pied.

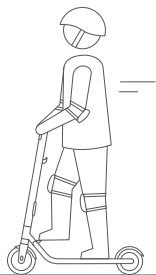


⚠ Ne roulez PAS dans les flaques ou autres accumulations d'eau de plus de 2 cm de profondeur.

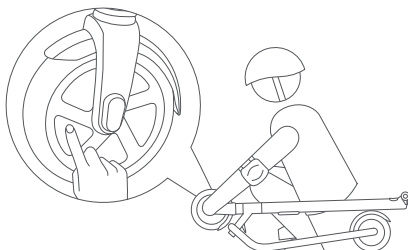


⚠ Le KickScooter est conçu pour un utilisateur seul. Ne conduisez pas à deux et ne prenez pas de passagers. Ne portez pas d'enfant.

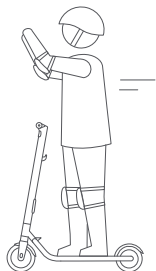
## 10 Repliement et transport



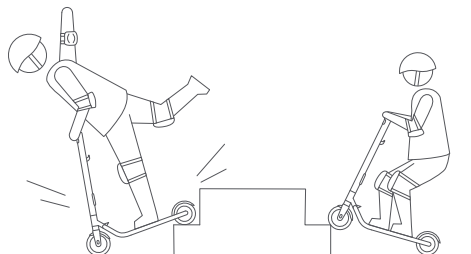
⚠ Ne posez PAS votre pied sur la pédale de repliement lorsque vous conduisez.



⚠ Ne touchez PAS le moteur du moyeu après avoir utilisé le scooter car il peut être chaud.



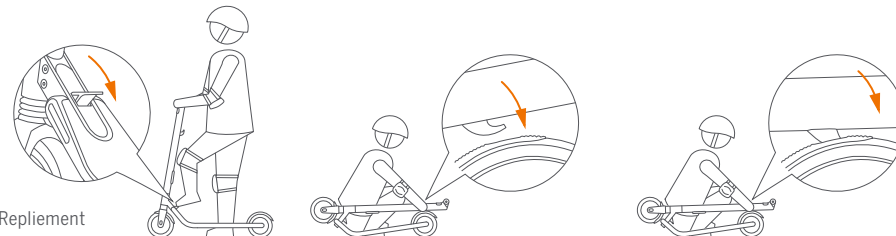
⚠ Ne levez PAS vos mains du guidon lorsque vous conduisez. Ne conduisez pas d'une seule main.



⚠ Ne conduisez PAS sur des marches d'escalier et ne sautez PAS au-dessus d'obstacles.

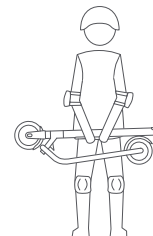
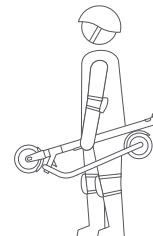
### ⚠ AVERTISSEMENT

Conservez toujours vos deux mains sur le guidon ou vous vous exposerez à un risque de blessures sérieuses dues à une perte de traction et une chute.



Repliement

Posez votre pied sur la pédale de repliement tout en poussant doucement le guidon vers l'avant. Pliez ensuite le guidon vers le bas jusqu'à ce qu'il s'enclenche dans l'aile arrière.



Transport

Une fois votre KickScooter replié, soulevez-le simplement par le tronc pour le transporter.

## 11 Entretien

### Nettoyage et rangement

Utilisez un chiffon doux et humide pour nettoyer le cadre central. La saleté difficile à enlever peut être brossée avec une brosse à dent et du dentifrice, puis essuyée avec un chiffon doux et humide. Les rayures sur les pièces en plastiques peuvent être polies avec du papier de verre à grain fin.

### REMARQUE

Ne nettoyez pas votre KickScooter avec de l'alcool, de l'essence, de l'acétone ou d'autres solvants corrosifs / volatiles. Ces substances peuvent endommager l'appareil et la structure interne de votre KickScooter. Ne nettoyez pas votre KickScooter avec une laveuse à pression ou un jet d'eau.

### ⚠ AVERTISSEMENT

Assurez-vous que le KickScooter soit sur OFF, que le câble du chargeur soit débranché et que le capuchon en caoutchouc sur le port de charge soit hermétiquement fermé avant le nettoyage ; vous risquez sinon d'endommager les composants électroniques.

Rangez votre KickScooter dans un lieu frais et sec. Ne le rangez pas dehors pour des périodes étendues. L'exposition à la lumière du soleil et des températures extrêmes (chaudes comme froides) accélère le processus de vieillissement des composants plastiques et peut réduire la durée de vie de la batterie.

### Entretien de la batterie

Ne rangez pas le scooter ou ne chargez pas la batterie à des températures se trouvant en dehors des limites indiquées (voir Spécifications). Ne percez pas la batterie. Référez-vous aux lois et règlements en vigueur en ce qui concerne le recyclage et/ou la mise au rebut.

Une batterie bien entretenue produit de bonnes performances même après des kilomètres de conduite. Chargez la batterie après chaque utilisation et évitez de vider complètement la batterie. L'utilisation du scooter à température ambiante (22 °C), mènera à une autonomie et performance de la batterie optimales ; alors que son utilisation à des températures inférieures à 0 °C diminuera l'autonomie et la performance. En général, à -20 °C l'autonomie sera réduite de moitié par rapport à 22°C. L'autonomie de la batterie reviendra si la température augmente. Plus de détails sont disponibles dans l'application.

### REMARQUE

En général, une batterie pleinement chargée devrait conserver la charge de 120 à 180 jours en mode Standby. Une batterie à faible puissance devrait conserver la charge de 30 à 60 jours en mode Standby. Rappelez-vous de charger la batterie après chaque utilisation. La batterie pourrait subir des dommages permanents si elle est complètement déchargée. Les composants électroniques à l'intérieur de la batterie enregistrent la condition de charge de la batterie ; les dommages résultants d'une surcharge ou décharge excessive ne sont pas couverts par la Garantie limitée.

### ⚠ AVERTISSEMENT

Ne tentez pas de démonter la batterie. Risque d'incendie. Pas de pièces changeables par l'utilisateur.

### ⚠ AVERTISSEMENT

Ne conduisez pas lorsque la température est en-dehors de températures de fonctionnement de l'appareil (voir spécifications) car une température basse/élevée limitera la puissance/le couple maximum. Cela pourrait engendrer des blessures ou des dommages matériels à cause de glissades ou de chutes.

## 12 Spécifications

	Article	ES1	ES2	ES4
Dimensions	Déplié: Longueur x Largeur x Hauteur	40x17x45 in (102x43x113 cm)		
	Replié: Longueur x Largeur x Hauteur	45x17x13 in (113x43x32 cm)		
Poids	Net	24.9 lbs (11.3 kg)	27.6 lbs (12.5 kg)	30.9 lbs (14.0 kg)
Utilisateur	Charge utile	55–220 lbs (25–100 kg)		
	Âge recommandé	14+ years		
	Taille requise	3' 11"–6' 6" (120–200 cm)		
Paramètres machine	Vitesse max.	12.4 mph (20 km/h)	15.5 mph (25 km/h)	18.6 mph (30 km/h)
	Autonomie typique <sup>[1]</sup>	15.5 miles (25 km)	15.5 miles (25 km)	28.0 miles (45 km)
	Inclinaison max.	10%	10%	15%
	Terrain praticable	asphalte / chaussée plate; obstacles < 1 cm; trous < 3 cm		
	Température d'opération	14–104°F (-10–40°C)		
	Température d'entreposage	-4–122°F (-20–50°C)		
	Indice IP	IP54		
Batterie	Tension nominale	36 VDC		
	Max. Tension de charge	42 VDC		
	Température de charge	32–104°F (0–40°C)		
	Capacité nominale	187 Wh	187 Wh	374 Wh
	Système de gestion de la batterie	Surchauffe, court-circuit, surintensité et protection de surintensité		
Moteur	Nombre de batteries <sup>[2]</sup>	1	1	2
	Puissance nominale	250 W	300 W	300 W
Chargeur	Puissance max.	500 W	700 W	800 W
	Puissance de sortie nominale	71 W		
	Tension d'entrée nominale	100-240 VAC		
	Tension de sortie nominale	42 VDC		
	Courant nominal	1.7 A		
Fonctionnalités	Durée de chargement	3.5 h	3.5 h	7 h
	Amortisseur	avant	avant et arrière	
Fonctionnalités	Feu de freinage	réflecteur	Feu arrière à LED	
	Feu atmosphère	N/A	Couleur personnalisable	
	Modes de conduite	Mode Limite de vitesse, mode Standard et mode Sport		

[1] Autonomie typique: testée en conduisant à pleine puissance, charge de 75 kg, 25°C, 60% de la vitesse max. en moyenne, sur la chaussée.

[2] Tous les modèles KickScooter peuvent prendre en charge la seconde batterie. Certains des paramètres doivent être modifiés dans ce cas.

## 13 Certifications

Ce produit a été testé et déclaré conforme à la norme ANSI/CAN/UL-2272.

La batterie est conforme à la norme UN/DOT 38.3

La deuxième batterie conforme aux ANSI/UL 2271 et UN/DOT 38.3.

### Déclaration de conformité « Federal Communications Commission » (FCC) pour les États-Unis

Cet appareil est conforme à la partie 15 des directives FCC. L'opération de l'équipement est soumise aux deux conditions suivantes: (1) Cet appareil ne doit pas être source d'interférences nuisibles, et (2) cet appareil doit accepter toute interférence reçue, y compris les interférences susceptibles d'entraîner des effets indésirables pour son opération.

#### REMARQUE

Cet équipement a été testé et classé dans la catégorie des appareils numériques de classe B en accord avec la partie 15 des directives FCC. Ces limites sont destinées à assurer une protection raisonnable contre les interférences nuisibles dans une installation résidentielle. Cet équipement produit, utilise et peut émettre de l'énergie radioélectrique et, s'il n'est pas installé et utilisé conformément aux instructions, est susceptible de provoquer des interférences nuisibles aux communications radio. Il n'existe toutefois aucune garantie que de telles interférences ne se produiront pas dans une installation particulière. Si cet appareil cause des interférences nuisibles à la réception des signaux de radio ou de télévision, ce qui peut être détecté en mettant l'appareil sous et hors tension, l'utilisateur peut essayer d'éliminer les interférences par l'un des moyens suivants:

- Réorienter ou déplacer l'antenne réceptrice.
- Augmenter la distance séparant l'équipement du récepteur.
- Brancher l'appareil sur un circuit différent de celui du récepteur.
- Demander conseil à un fournisseur ou technicien radio / TV spécialisé.

Cet équipement est conforme aux limites FCC d'exposition aux radiations, avancées ci-après, pour un environnement incontrôlé.

### Déclaration de conformité « Industry Canada » (IC) pour le Canada

Cet appareil répond aux exigences des normes RSS non soumises à licence d'Industry Canada. L'opération de l'équipement est soumise aux deux conditions suivantes:(1) Cet appareil ne doit pas être source d'interférences, et (2) cet appareil doit accepter toute interférence reçue, y compris les interférences susceptibles d'entraîner des effets indésirables pour son opération.

CAN ICES-3 (B)/NMB-3(B)

Segway Inc. et Ninebot déclinent toute responsabilité pour tous changements ou toutes modifications n'ayant pas reçu l'approbation explicite de Segway Inc. ou Ninebot. De telles modifications sont susceptibles d'entraîner la révocation de l'autorisation d'utilisation de l'appareil.

Pour le modèle : ES1/ES2/ES4

FCC ID: 2ALS8-NT9527

IC: 22636-NT9527

### Déclaration de conformité Union européenne

#### Information de recyclage de la batterie pour l'Union européenne



Les batteries ou emballages pour batteries sont étiquetés conformément à la Directive européenne 2006/66/CE concernant les batteries et piles, et les batteries et piles usagées. La Directive établit un cadre pour la collecte et le recyclage des batteries et piles usagées applicable dans l'ensemble de l'Union européenne. Cet étiquetage est appliqué à diverses batteries pour indiquer que la batterie ne doit pas être jetée mais récupérée en fin de vie conformément à cette Directive.

Conformément à la Directive européenne 2006/66/CE, les batteries et piles sont étiquetées de manière à indiquer qu'elles doivent être recueillies séparément et recyclées en fin de vie. L'étiquetage de la batterie peut également inclure le symbole chimique du métal contenu dans la batterie (Pb pour le plomb, Hg pour le mercure et Cd pour le cadmium). Les utilisateurs de batteries et piles ne doivent pas les jeter comme déchets ménagers non triés, mais utiliser les infrastructures mises à disposition des consommateurs en vue de leur collecte, recyclage et traitement. La participation des consommateurs est importante afin de minimiser les effets potentiels des batteries et piles sur l'environnement et la santé en raison de la présence de substances dangereuses.

Directive relative à la Limitation de l'utilisation de certaines substances (LdSD)

Les produits Ninebot vendus dans l'Union européenne à compter du 3 janvier 2013 sont conformes à la Directive 2011/65/EU visant à limiter l'utilisation de certaines substances dangereuses dans les équipements électriques et électroniques (« LdSD reformulée » ou « LdSD 2 »).

Directive concernant les équipements hertziens et les équipements de terminaux de télécommunication



Segway Europe B.V.

Adresse de contact UE pour les questions réglementaires uniquement: Hogehilweg 8, 1101CC Amsterdam, Pays-Bas.

Ninebot (Changzhou) Tech Co., Ltd, déclare par les présentes que les équipements sans fil répertoriés dans la présente section répondent aux exigences essentielles et autres provisions pertinentes de la Directive 2014/53/EU.

## 14 Marque commerciale et déclaration juridique

Ninebot et l'icône shape sont des marques commerciales de Ninebot (Tianjin) Tech. Co., Ltd ; Segway est la marque commerciale déposée de Segway Inc. ; Android, Google Play sont des marques commerciales de Google Inc. App Store est une marque de service d'Apple Inc. Les propriétaires respectifs se réservent les droits inhérents à leurs marques commerciales mentionnées dans ce manuel.

Le KickScooter est couvert par les brevets s'y affèrent. Pour obtenir des informations sur les brevets, visitez <http://www.segway.com>.

Nous avons tenté d'inclure des descriptions et des instructions pour l'ensemble des fonctionnalités du KickScooter existantes au moment de l'impression. Toutefois, il est possible que votre KickScooter diffère légèrement de celui montré dans le présent document. Visitez l'App Store Apple (iOS) ou le Google Play Store (Android) pour télécharger et installer l'application.

Veuillez noter qu'il existe de multiples modèles Segway et Ninebot possédant des fonctionnalités différentes, et certaines des fonctionnalités mentionnées ici peuvent ne pas s'appliquer à votre unité. Le fabricant se réserve le droit de modifier l'apparence et la fonctionnalité du produit et de la documentation KickScooter sans préavis.

© 2017 Segway Inc. Tous droits réservés.

## 15 Contact

Contactez-nous si vous rencontrez des problèmes associés à l'utilisation, l'entretien et la sécurité ou en cas d'erreurs / de fautes en lien avec le KickScooter.

### **Amériques :**

#### **Segway Inc.**

14 Technology Drive, Bedford, NH 03110, États-Unis

Tél. : 1-603-222-6000

Fax: 1-603-222-6001

Numéro vert: 1-866-473-4929

E-mail ventes: [customeroperation@segway.com](mailto:customeroperation@segway.com)

E-mail Service: [technicalsupport@segway.com](mailto:technicalsupport@segway.com)

Site Web: [www.segway.com](http://www.segway.com)

### **Europe, Moyen-Orient et Afrique:**

#### **Segway Europe B.V.**

Hogehilweg 8, 1101CC Amsterdam, Pays-Bas

E-mail Service: [service@segway.eu.com](mailto:service@segway.eu.com)

Site Web: [www.segway.com](http://www.segway.com)

Assurez-vous de disposer du numéro de série de votre KickScooter lorsque vous contactez Segway.

Vous trouverez ce numéro de série au-dessous de votre KickScooter ou dans l'application, dans le menu Plus de paramètres -> Informations de base.



# Benutzerhandbuch

by **SEGWAY**

Le fabricant se réserve le droit d'apporter des modifications au produit, de publier des mises à jour du microprogramme et de réviser ce manuel à tout moment. Visitez [www.segway.com](http://www.segway.com) ou consultez l'application pour télécharger les derniers contenus utilisateur. Vous devez installer l'application, activer votre KickScooter et obtenir les dernières mises à jour et consignes de sécurité.

[www.segway.com](http://www.segway.com)

**ninebot<sup>®</sup> KickScooter**

ANSI/CAN/UL-2272-zertifiziert; ANSI/UL 2271-zertifiziert  
Übersetzung der originalen Anleitung

## Inhalt

1 Sicherheit beim Fahren	02
2 Packliste	04
3 Diagramm	05
4 Zusammenbau Ihres KickScooter	06
5 Ein zweites Batterie-Pack installieren	07
6 Erste Fahrt	08
7 Aufladen	09
8 Fahren lernen	09
9 Warnhinweise	11
10 Zusammenklappen und Transport	15
11 Wartung und Pflege	16
12 Technische Daten	17
13 Zertifizierungen	18
14 Marke und rechtlicher Hinweis	20
15 Kontakt	21

Vielen Dank, dass Sie sich für die Ninebot KickScooter ES-Serie entschieden haben!

Vielen Dank, dass Sie sich für den Ninebot KickScooter (nachfolgend KickScooter genannt) entschieden haben!

Ihr KickScooter ist ein trendy Beförderungsgerät mit mobiler App, über die Sie sich mit anderen Fahrern verbinden können.

Genießen Sie Ihre Fahrt und verbinden Sie sich mit Fahrern weltweit!



**▲ WARNUNG!**

Benutzen Sie im Notfall immer sowohl die Elektro- als auch die Fußbremse, da ansonsten die Gefahr von Stürzen und/oder Zusammenstößen aufgrund zu geringer Bremswirkung besteht.

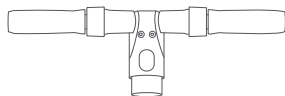
# 1 Sicherheit beim Fahren

1. Der KickScooter ist ein Fahrzeug für den Freizeitgebrauch. Zur Beherrschung des Fahrzeugs müssen Sie den Umgang damit üben. Weder Ninebot Inc. noch Segway Inc. können für irgendwelche Verletzungen oder Schäden haftbar gemacht werden, die auf die Unerfahrenheit eines Fahrers oder die Nichteinhaltung der Hinweise in vorliegendem Dokument zurückzuführen sind.
2. Bitte haben Sie Verständnis dafür, dass Sie das Risiko durch die Einhaltung aller Anweisungen und Warnhinweise in diesem Handbuch zwar reduzieren können, dass sich aber nicht alle Risiken ausschließen lassen. Denken Sie daran, dass Sie sich beim Fahren mit dem KickScooter möglicherweise durch Kontrollverlust, Zusammenstöße und Stöße verletzen können. Beim Befahren öffentlicher Räume sind Sie gehalten, sich an die lokalen Gesetze und Bestimmungen zu halten. Wie bei anderen Fahrzeugen auch erfordern höhere Geschwindigkeiten einen längeren Bremsweg. Abruptes Bremsen auf wenig griffigen Untergründen kann zu Radschlupf oder Stürzen führen. Lassen Sie Vorsicht walten und halten Sie bei der Fahrt immer einen sicheren Abstand zwischen Ihnen und anderen Personen oder Fahrzeugen ein. Seien Sie aufmerksam und verringern Sie die Geschwindigkeit, wenn Sie unbekanntes Gebiet erreichen.
3. Tragen Sie während der Fahrt immer einen Schutzhelm. Verwenden Sie einen geprüften Fahrrad- oder Skateboard-Helm, der mit einem Kinnriemen sitzt und auch den hinteren Bereich des Kopfes schützt.
4. Absolvieren Sie Ihre ersten Fahrversuche nicht in Bereichen, wo Sie möglicherweise mit Kindern, Fußgängern, Tieren, Fahrzeugen, Radfahrern oder sonstigen Hindernissen und potentiellen Gefahren rechnen müssen.
5. Respektieren Sie Fußgänger, indem sie diesen immer Vorrang gewähren. Passieren Sie Fußgänger wann immer möglich auf der linken Seite. Wenn Sie sich einem Fußgänger von vorne nähern, bleiben Sie rechts und reduzieren Sie die Geschwindigkeit. Vermeiden Sie es, Fußgänger zu erschrecken. Wenn Sie sich einem Fußgänger von hinten nähern, machen Sie sich bemerkbar und reduzieren Sie Ihre Geschwindigkeit beim Vorbeifahren auf Schrittgeschwindigkeit. Bitte halten Sie bei außergewöhnlichen Situationen die lokalen Verkehrsregeln und Bestimmungen ein.
6. Halten Sie in rechtsfreien Bereichen die in vorliegendem Handbuch aufgeführten Sicherheitsrichtlinien ein. Weder Ninebot Inc. noch Segway Inc. haften für irgendwelche Eigentumschäden, Personenschäden/Todesfälle, Unfälle oder Rechtsstreitigkeiten, die auf Verstöße gegen die Sicherheitshinweise zurückzuführen sind.
7. Erlauben Sie keiner anderen Person die selbstständige Benutzung Ihres KickScooter, ohne dass er/sie vorliegendes Handbuch gelesen und das Tutorial Neue Fahrer in der App absolviert haben. Die Sicherheit eines neuen Fahrers unterliegt Ihrer Verantwortung. Unterstützen Sie neue Fahrer so lange, bis sie mit den Basisfunktionen des KickScooter vertraut sind. Stellen Sie sicher, dass jeder Fahrer einen Helm und sonstige Schutzausrüstung trägt.
8. Überprüfen Sie das Fahrzeug vor jeder Fahrt auf lose Befestigungsmittel und beschädigte Komponenten. Wenn der KickScooter ungewöhnliche Geräusche macht oder einen Alarmton abgibt, halten Sie dann unverzüglich an. Führen Sie eine Diagnose Ihres KickScooter über die Segway-Ninebot App durch und setzen Sie sich mit Ihrem Händler/Lieferanten zwecks Wartung in Verbindung.

9. Seien Sie aufmerksam! Blicken Sie weit voraus und überwachen Sie den Bereich vor Ihrem KickScooter — Ihre Augen sind das beste Hilfsmittel, um Hindernisse sicher zu umfahren und rutschige Untergründe zu erkennen (einschließlich, jedoch nicht darauf beschränkt, nasse Fahrbahnen, loser Sand, loser Kies und Eis).
10. Um das Verletzungsrisiko zu verringern, müssen Sie die alle "ACHTUNG"- und "WARNUNG"-Hinweise in vorliegendem Dokument lesen und befolgen. Fahren Sie nicht mit unangepasster Geschwindigkeit. Die Benutzung von Straßen, auf denen Kraftfahrzeuge fahren, ist unter allen Umständen verboten. Das vom Hersteller empfohlene Benutzeralter ist 14+ Jahren. Befolgen Sie immer die Sicherheitshinweise:
  - A. Der KickScooter darf nicht benutzt werden von:
    - i. Personen, die unter Alkohol- oder Drogeneinfluss stehen.
    - ii. Personen, die an Erkrankungen leiden, die bei körperlicher Anstrengung zu einem Risiko werden.
    - iii. Personen, die Probleme mit dem Gleichgewicht oder mit motorischen Fähigkeiten haben, die das Ausbalancieren des Fahrzeugs beeinträchtigen könnten.
    - iv. Personen, deren Gewicht die angegebenen Grenzwerte überschreitet (siehe technische Daten).
    - v. Schwangere.
  - B. Personen unter 18 Jahren dürfen das Fahrzeug nur unter Aufsicht eines Erwachsenen benutzen.
  - C. Beim Fahren sind die lokalen Gesetze und Bestimmungen einzuhalten. Das Fahrzeug darf nicht benutzt werden, wo es laut lokaler Gesetze verboten ist.
  - D. Zur Gewährleistung der Fahrsicherheit müssen Sie eine klare Sicht nach vorne haben und müssen Sie selbst für andere deutlich sichtbar sein.
  - E. Das Fahrzeug darf nicht im Schnee, im Regen oder auf nassen, matschigen, vereisten oder aus irgendwelchen sonstigen Gründen glatten Fahrbahnoberflächen benutzt werden. Nicht über Hindernisse fahren (Sand, loser Schotter oder Äste). Hierdurch verlieren Sie das Gleichgewicht oder die Traktion und kann es zu Stürzen kommen.
11. Versuchen Sie nicht, Ihren KickScooter aufzuladen, wenn das Ladegerät oder die Steckdose feucht sind.
12. Verwenden Sie - wie bei allen anderen elektronischen Geräten - beim Laden einen Überspannungsschutz, um Ihren KickScooter gegen Beschädigungen durch Überlastungen und Spannungsspitzen zu schützen. Verwenden Sie zum Aufladen ausschließlich das von Segway mitgelieferte Ladegerät. Verwenden Sie kein Ladegerät eines anderen unterschiedlichen Produktmodells.
13. Verwenden Sie ausschließlich von Ninebot oder Segway zugelassene Ersatz- und Zubehörteile. Nehmen Sie keine Änderungen an Ihrem KickScooter vor. Modifikationen an Ihrem KickScooter könnten den Betrieb des KickScooter beeinträchtigen, zu schwerwiegenden Verletzungen und/oder Schäden und zu einem Verlust der beschränkten Garantie führen.

## 2 Packliste

Hebel



Haupttrahmen



Benutzermaterialien



Zweites Batterie-Pack

	ES1	ES2	ES4
	Gesondert verkauft	Enthalten	

Zubehör

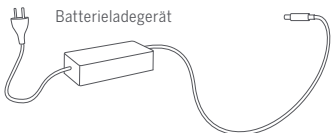
M5 Flachkopfschraube x 5  
(eine zusätzlich)



3mm Sechskantschlüssel



Batterieladegerät

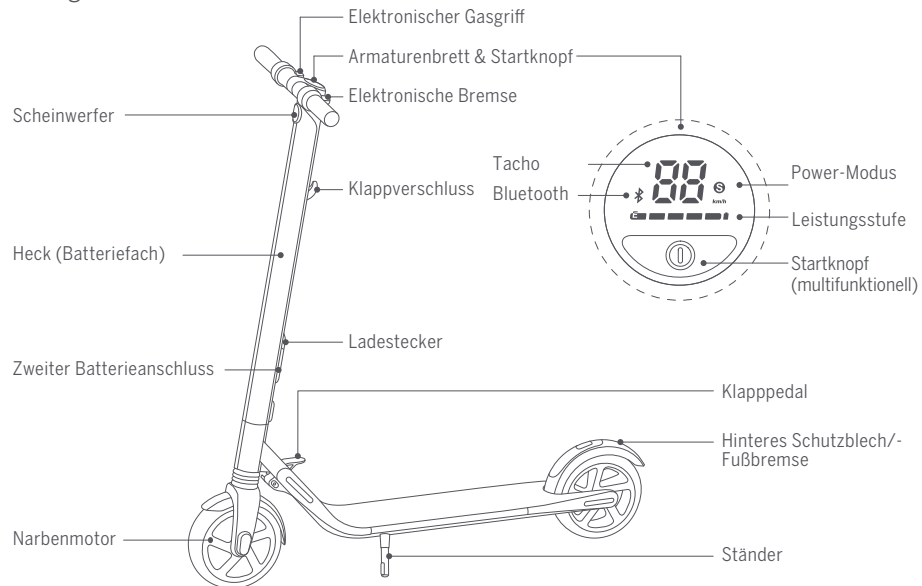


Überprüfen Sie bitte beim Auspacken Ihres KickScooter, dass die vorstehend genannten Artikel in der Packung enthalten sind. Wenn Sie irgendwelche Komponenten vermissen, wenden Sie sich an Ihren Händler/Lieferanten oder das nächstgelegene Servicecenter (siehe Kontakte im Benutzerhandbuch). Nachdem Sie sich vergewissert haben, dass alle Komponenten vorhanden und im guten Zustand sind, können Sie Ihren neuen KickScooter zusammenbauen.

Bitte bewahren Sie den Karton und die Verpackungsmaterialien für den Fall auf, dass Sie zukünftig Ihren KickScooter verschicken möchten.

Denken Sie daran, den KickScooter vor dem Zusammenbau, der Montage von Zubehörteilen oder der Reinigung des Hauptrahmens auszuschalten und das Ladekabel abzuziehen.

## 3 Diagramm



### Armaturenbrett & Startknopf

Tacho: Zeigt die aktuelle Geschwindigkeit an. Hier werden auch Fehlercodes bei Erkennen von Fehlern angezeigt.

Energiestufe: Zeigt die verbleibende Batterieleistung mit 5 Balken an. Jeder Balken entspricht etwa 20 % der Batterieleistung.

Powermodus (Doppelklick auf Startknopf, um den Modus zu verändern):

— Rotes "S"-Symbol: Sportmodus (maximale Leistung/Geschwindigkeit und eingeschränkte Reichweite).

— Weißes "S"-Symbol: Standardmodus (mittlere Leistung/Geschwindigkeit und Reichweite).

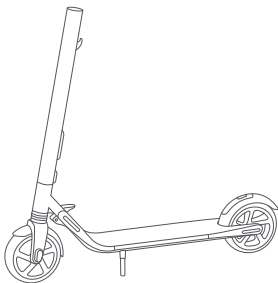
— Kein "S"-Symbol: Geschwindigkeitsbeschränkungsmodus (minimale Leistung/Geschwindigkeit und höhere Reichweite).

Bluetooth: Ein blinkendes Bluetooth-Symbol weist darauf hin, dass das Fahrzeug anschlussbereit ist. Ein stetig aufleuchtendes Bluetooth-Symbol weist darauf hin, dass das Fahrzeug an ein mobiles Gerät angeschlossen ist.

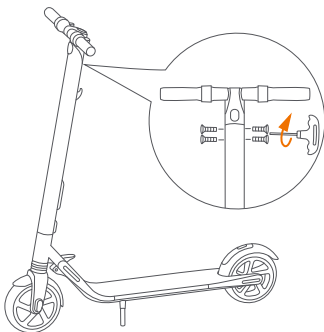
Startknopf: Zum Einschalten kurz drücken. Zum Ausschalten länger drücken. Wenn eingeschaltet, ein einziger Klick zum Ein-/Ausschalten des Scheinwerfers. Doppelklick, um den Powermodus zu ändern.

## 4 Zusammenbau Ihres KickScooter

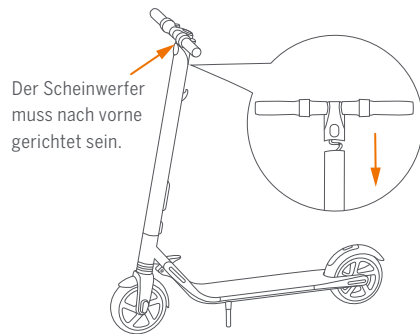
1. Lenkervorbau ausklappen und so lange schieben, bis Sie einen Klick hören. Klappen Sie den Ständer herunter, um den Roller abzustellen.



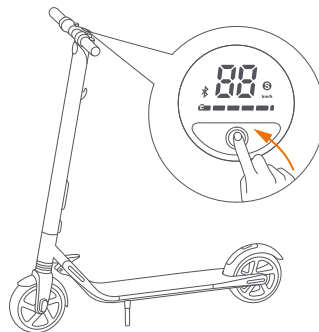
3. Ziehen Sie die 4 Schrauben (zwei auf jeder Seite) mit dem mitgelieferten Sechskantschlüssel an.



2. Schließen Sie die Kabel in Lenker und Lenkervorbau gut an. Schieben Sie den Griff auf den Lenkervorbau. Achten Sie auf die korrekte Ausrichtung.



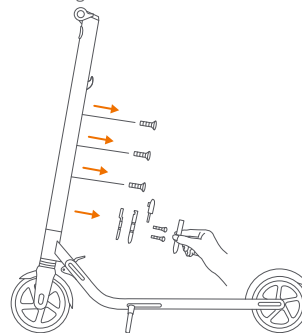
4. Überprüfen Sie, ob sich Ihr KickScooter ein- und ausschalten lässt.



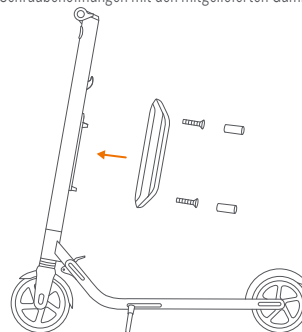
## 5 Installation eines zweiten Batterie-Packs ⚠ Achtung: Bitte verwenden Sie nur die mitgelieferten Schrauben!

Befolgen Sie bei der Installation eines zweiten Batterie-Packs folgende Schritte:

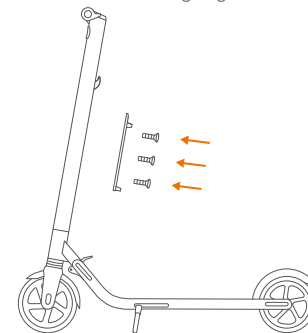
1. Entfernen Sie die drei Schrauben auf dem Lenkervorbau wie dargestellt. Entfernen Sie anschließend die Abdeckung in der Nähe der Ladesteckdose.



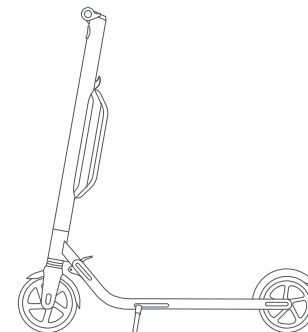
3. Montieren Sie die externe Batterie auf der Halterung und befestigen Sie diese mit den mitgelieferten M4 Schrauben (20mm / 2 Stk.). Nachdem Sie diese ordentlich festgezogen haben, verdecken Sie die Schraubenöffnungen mit den mitgelieferten Gummistöpseln.



2. Montieren Sie die Halterung mit den mitgelieferten M4 Schrauben (10mm / 3 Stk.). Bitte beachten Sie, dass diese ordentlich festgezogen werden.



4. Überprüfen Sie, ob sich Ihr KickScooter ein- und ausschalten lässt.



## 6 Erste Fahrt

⚠️ Beim Fahrtraining mit dem KickScooter können Sicherheitsrisiken auftreten. Lesen Sie sich deshalb vor der ersten Fahrt die Sicherheitsanweisungen über die App durch.

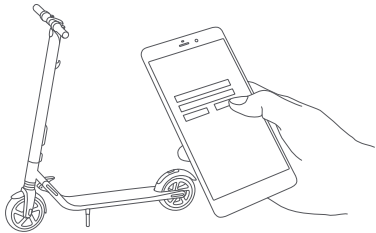
Ihr neuer KickScooter ist zu Ihrer Sicherheit nicht aktiviert, und es ertönt nach dem EINSCHALTEN zeitweise ein Piepton.



Bis zur Aktivierung kann der KickScooter nur mit äußerst geringer Geschwindigkeit und nicht mit allen Funktionen gefahren werden. Installieren Sie die App auf Ihrem Mobilgerät (mit Bluetooth 4.0 oder höher), verbinden Sie den KickScooter über Bluetooth und befolgen Sie die Anweisungen zur Aktivierung Ihres KickScooter in der App. Danach können Sie das volle Leistungsspektrum nutzen.

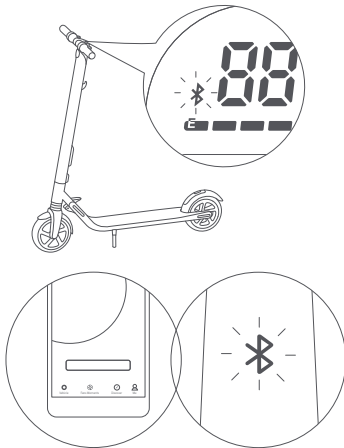
Scannen Sie den QR-Code zum Herunterladen der App ein (iOS 8.0 oder höher, Android™ 4.3 oder höher).

- 1 Installieren Sie die App und melden Sie sich an/login Sie sich ein.



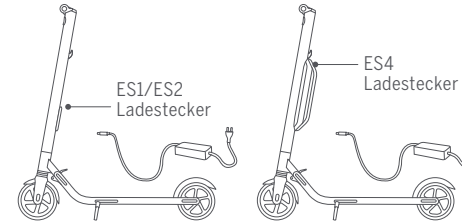
- 3 Klicken Sie "Gerät suchen", um sich mit Ihrem KickScooter zu verbinden. Der KickScooter gibt einen Piepton ab, wenn die Verbindung erfolgreich zu Stande gekommen ist. Das Bluetooth-Symbol blinkt nicht mehr und brennt ununterbrochen.

- 2 Schalten Sie den KickScooter ein. Ein blinkendes Bluetooth-Symbol weist darauf hin, dass der KickScooter auf eine Verbindung wartet.



- 4 Befolgen Sie die Anweisungen der App zu Aktivierung des KickScooter und erlernen Sie das sichere Fahren mit dem Roller. Sie können jetzt Ihren KickScooter benutzen. Überprüfen Sie den Betriebszustand mit Hilfe der App und tauschen Sie sich mit anderen Benutzern aus. Viel Spaß!

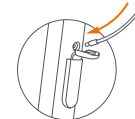
## 7 Laden



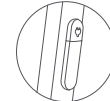
Tipps für Aufladeschritt



Öffnen Sie die Ladesteckdosenabdeckung.



Stecken Sie den Ladestecker ein



Schließen Sie die Ladesteckdosenabdeckung und nach dem Laden

### ⚠️ WARNUNG

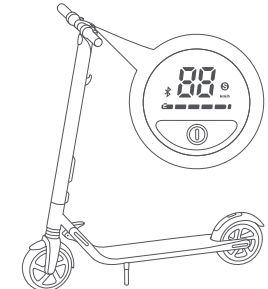
Verbinden Sie das Ladegerät nicht, wenn Ladesteckdose oder Ladekabel feucht sind.

Ihr KickScooter ist vollständig geladen, wenn die LED auf dem Ladegerät von Rot (Laden) auf Grün (Erhaltungsladen) umschaltet. Schließen Sie die Ladesteckdosenabdeckung, wenn die Batterie nicht geladen wird.

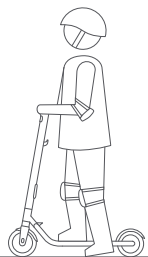
## 8 Fahren lernen



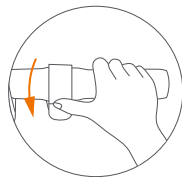
Tragen Sie einen zugelassenen Schutzhelm und andere Schutzkleidung, um jegliche möglichen Verletzungen zu minimieren.



1. Schalten Sie den Roller an und überprüfen Sie die Ladeniveau-Leuchtanzeige. Laden Sie den Roller bei niedrigem Batteriestand auf.

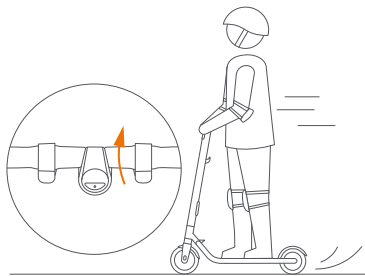


2. Setzen Sie einen Fuß auf die Fußablage und stoßen Sie sich mit dem Fuß ab, um loszuleiten.

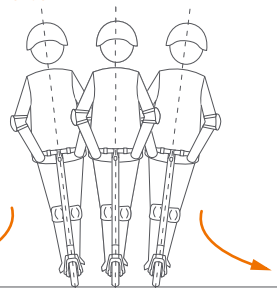


3. Setzen Sie den anderen Fuß auf die Fußablage, um beide Füße stabil zu halten. Drücken Sie den Gasgriff rechts, um die Geschwindigkeit zu erhöhen, wenn Sie das Gleichgewicht gefunden haben.

**Hinweis:** Zu Ihrer Sicherheit setzt der Motor erst ein, wenn der Roller eine Geschwindigkeit von 1.8 mph (3 km/h) erreicht hat.



4. Verringern Sie die Geschwindigkeit durch Loslassen des Gasgriffs; ziehen Sie den Bremsdaumenhebel schnell und treten Sie gleichzeitig mit dem Fuß auf das Schutzblech, um eine mechanischen Bremsvorgang auszulösen und scharf abzubremsen.



5. Verlagern Sie beim Abbiegen Ihr Körpergewicht und drehen Sie vorsichtig den Lenker.

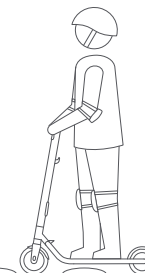
## 9 Warnungen

### ⚠️ WARNUNG

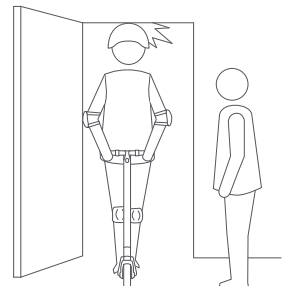
Die Nichteinhaltung dieser Hinweise kann schwerwiegende Verletzungen nach sich ziehen.



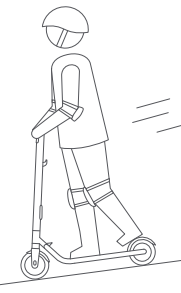
- ⚠️ Fahren Sie mit dem Roller NICHT im Regen.



- ⚠️ Fahren Sie NICHT mit HOHER GESCHWINDIGKEIT über Bodenschwellen, Schwellen oder sonstige Bodenwellen.



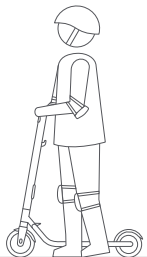
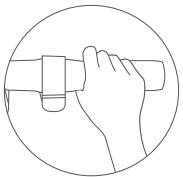
- ⚠️ Passen Sie auf Ihren Kopf auf, wenn Sie unter Türöffnungen hindurch fahren.



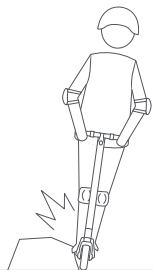
- ⚠️ Achten Sie beim Bergabfahren auf Ihre Geschwindigkeit. Betätigen Sie beide Bremsen zusammen, wenn Sie mit hoher Geschwindigkeit fahren.

### ⚠️ WARNUNG

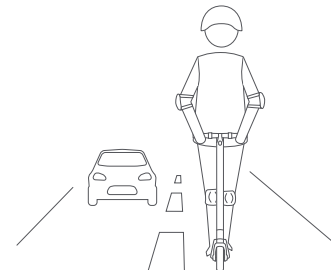
Bei abruptem Abbremsen besteht das Risiko ernstest Verletzungen aufgrund des Traktionsverlustes und der Sturzgefahr. Fahren Sie mit angemessener Geschwindigkeit und achten Sie auf potentielle Gefahren.



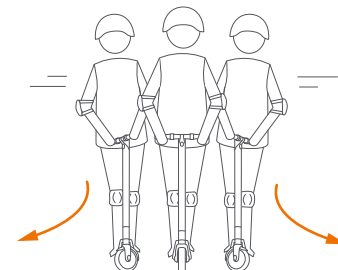
⚠ Betätigen Sie den Gasgriff **NICHT**, wenn Sie den Roller schieben.



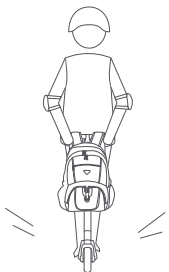
⚠ Vermeiden Sie den Kontakt von Reifen/Rad mit eventuellen Hindernissen.



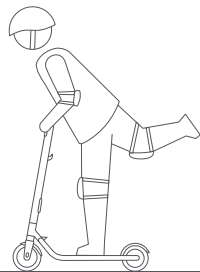
⚠ Fahren Sie **NICHT** auf öffentlichen Straßen, Autobahnen oder Bundesstraßen.



⚠ Drehen Sie den Lenker **NICHT** zu heftig, wenn Sie mit hoher Geschwindigkeit fahren.



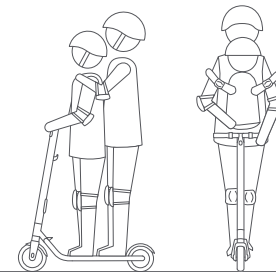
⚠ Transportieren Sie **KEINE** schweren Objekte auf dem Lenker.



⚠ Fahren Sie den Roller **NICHT** mit nur einem Fuß.



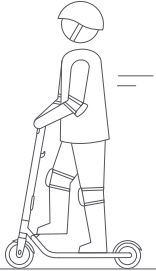
⚠ Fahren Sie **NICHT** durch Pfützen oder andere Wasserflächen, die tiefer als 1 Inch (2 cm) sind.



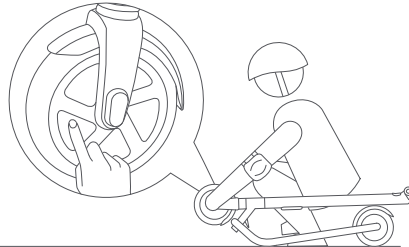
⚠ Der KickScooter ist nur für einen Fahrer vorgesehen. Fahren Sie nicht zu zweit oder lassen Sie keine anderen Passagiere mitfahren. Kein Kind transportieren.



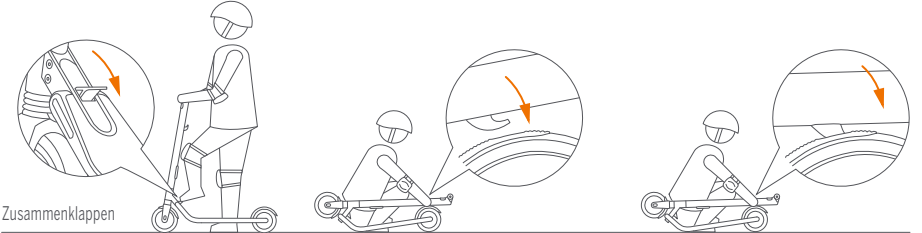
## 10 Zusammenklappen und Transport



**!** Das Klapppedal **NICHT** während der Fahrt betätigen.



**!** Den Nabenmotor nach der Fahrt **NICHT** berühren, Verbrennungsgefahr.

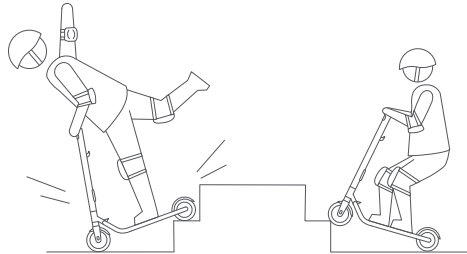


Zusammenklappen

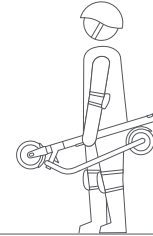
Steigen Sie auf das Klapppedal, während Sie den Lenker etwas nach vorne schieben. Klappen Sie jetzt den Lenker nach unten, bis er im hinteren Schutzblech einrastet.



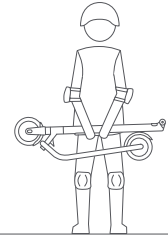
**!** Nehmen Sie die Hände bei der Fahrt **NICHT** vom Lenker. **NICHT** einhändig fahren.



**!** **NICHT** Treppen hoch oder hinunter fahren oder über Hindernisse springen.



Durchführung



Wenn Ihr KickScooter zusammengeklappt ist, zum Wegtragen einfach am Lenkervorbau fassen.

**! WARNUNG**  
Halten Sie immer beide Hände am Lenker oder Sie riskieren schwerwiegende Verletzungen aufgrund von Gleichgewichtsverlust und Sturzgefahr.

## 11 Wartung

### Reinigung und Lagerung

Verwenden Sie zum Abwischen des Hauptrahmens ein weiches, feuchtes Tuch. Schwer zu entfernender Schmutz kann mit einer Zahnbürste und Zahnpasta entfernt werden, anschließend mit einem weichen, feuchten Tuch abwischen. Kratzer auf Plastikteilen können mit feinkörnigem Schleifpapier beseitigt werden.

### HINWEIS

Waschen Sie Ihren KickScooter nicht mit Alkohol, Benzin, Aceton oder anderen korrosiven/flüchtigen Lösungsmitteln. Diese Substanzen können das Äußere und die interne Struktur Ihres KickScooter angreifen. Waschen Sie Ihren KickScooter nicht mit einem Hochdruckreiniger oder Hochdruckschlauch.

### ⚠️ WARNUNG

Stellen Sie sicher, dass der KickScooter vor dem Reinigen ausgeschaltet, das Ladekabel abgezogen und die Gummikappe auf der Ladesteckdose dicht verschlossen ist, da es ansonsten zu Beschädigungen der elektronischen Komponenten kommen kann.

Bewahren Sie Ihren KickScooter an einem kühlen und trockenen Ort auf. Nicht für einen längeren Zeitraum im Außenbereich abstellen. Durch Sonnenlicht und extreme Temperaturen (sowohl Hitze als auch Kälte) wird der Alterungsprozess der Plastikkomponenten beschleunigt und kann sich die Lebensdauer der Batterie verringern.

### Wartung des Batterie-Packs

Batterien dürfen nicht bei Temperaturen außerhalb der festgelegten Grenzwerte (siehe Technische Daten) aufbewahrt oder geladen werden. Die Batterien nicht durchstechen. Beachten Sie die lokalen Gesetze und Bestimmungen bezüglich des Recycling und/oder der Entsorgung von Batterien.

Eine ordnungsgemäß gewartete Batterie kann auch nach zahlreichen Kilometern immer noch gute Leistungen bringen. Laden Sie die Batterie nach jeder Fahrt und vermeiden Sie ein vollständiges Entleeren der Batterie. Wird die Batterie bei Zimmertemperatur (70°F [22°C]) verwendet, sind Reichweite und Leistung optimal; bei Temperaturen unterhalb von 32°F (0°C) können Reichweite und Leistung sinken. Normalerweise halbiert sich bei -4°F (-20°C) die Reichweite der Batterie im Vergleich zu 70°F (22°C). Die Batteriereichweite erholt sich mit ansteigender Temperatur. Weitere Einzelheiten sind in der App verfügbar.

### HINWEIS

Normalerweise hält eine vollgeladene Batterie im Stand-by-Betrieb ihre Ladung für 120-180 Tage. Eine Batterie mit geringer Leistung sollte ihre Ladung im Stand-by-Betrieb für 30-60 Tage halten. Denken Sie daran, die Batterie nach jeder Benutzung aufzuladen. Das vollständige Entleeren der Batterie kann zu deren dauerhaften Beschädigung führen. Elektronische Komponenten in der Batterie zeichnen die Lade-Entladebedingungen der Batterie auf; durch Über- oder Unterladung verursachte Schäden werden nicht durch die beschränkte Garantie gedeckt.

### ⚠️ WARNUNG

Versuchen Sie nicht, die Batterie zu zerlegen. Es besteht Feuergefahr. Keine vom Benutzer zu wartenden Teile.

### ⚠️ WARNUNG

Fahren Sie nicht, wenn die Umgebungstemperatur außerhalb der Maschinenbetriebstemperatur liegt (siehe Spezifikationen), da niedrige/hohe Temperaturen die maximale Leistung/das maximale Drehmoment begrenzt. Andernfalls kann es zu Verletzungen oder Sachschäden aufgrund von Rutsch- oder Sturzvorfällen kommen.

## 12 Technische Daten

	Artikel	ES1	ES2	ES4
Maße	Ausgeklappt: Länge x Breite x Höhe	40x17x45 in (102x43x113 cm)		
	Zusammengeklappt: Länge x Breite x Höhe	45x17x13 in (113x43x32 cm)		
Gewicht	Netto	24.9 lbs (11.3 kg)	27.6 lbs (12.5 kg)	30.9 lbs (14.0 kg)
	Traglast	55–220 lbs (25–100 kg)		
Fahrer	Altersempfehlung	14+ years		
	Erforderliche Höhe	3' 11"–6' 6" (120–200 cm)		
	Höchst geschwindigkeit	12.4 mph (20 km/h)	15.5 mph (25 km/h)	18.6 mph (30 km/h)
Maschinenparameter	Normale Reichweite <sup>[1]</sup>	15.5 miles (25 km)	15.5 miles (25 km)	28.0 miles (45 km)
	Höchst steigung	10%	10%	15%
	Befahrbares Gelände	Asphalt/ebener Untergrund; Hindernisse < 0.4 in (1 cm); Löcher < 1.2 in (3 cm)		
	Betriebstemperatur	14–104°F (-10–40°C)		
	Lagertemperatur	-4–122°F (-20–50°C)		
	IP-Klassifizierung	IP54		
	Batterie	Nennspannung	36 VDC	
Max. Ladespannung		42 VDC		
Ladetemperatur		32–104°F (0–40°C)		
Nennleistung		187 Wh	187 Wh	374 Wh
Batteriemanagementsystem		Überhitzungs-, Kurzschluss-, Überstrom- und Überladeschutz		
Motor	Zahl der Batterien <sup>[2]</sup>	1	1	2
	Nennleistung	250 W	300 W	300 W
	Max. Leistung	500 W	700 W	800 W
Ladegerät	Nennausgangsleistung	71 W		
	Eingangsnennspannung	100-240 VAC		
	Ausgangsnennspannung	42 VDC		
	Nennstrom	1.7 A		
	Ladedauer	3.5 h	3.5 h	7 h
Ausstattung	Stoßdämpfer	vorne	vorne & hinten	
	Bremsleuchte	Reflektor	LED-Rückleuchte	
	Stimmungslicht	N.z.	Konfigurierbare Farbe	
	Fahrmodi	Geschwindigkeitsbeschränkter Modus, Standardmodus und Sportmodus		

[1] Normale Reichweite: Tests wurden bei Fahrten mit voller Leistung, 165lbs (75 kg) Traglast, 77°F (25°C), 60 % der Höchstgeschwindigkeit auf durchschnittlichem Straßenbelag durchgeführt.

[2] Alle KickScooter-Modelle können mit einer zweiten Batterie ausgestattet werden. In diesem Falle ändern sich einige Parameter.

## 13 Zertifizierungen

Dieses Produkt wurde gemäß ANSI/CAN/UL-2272 erfolgreich getestet.

Die Batterie entspricht der UN/DOT 38.3.

Der zweiten Batterie entspricht den ANSI/UL 2271 und UN/DOT 38.3.

### Übereinstimmungserklärung für die USA von der amerikanischen Regulierungsbehörde Federal Communications Commission (FCC)

Dieses Gerät entspricht Teil 15 der FCC-Regularien. Der Betrieb unterliegt den beiden folgenden Bedingungen: (1) Dieses Gerät darf keine Funkstörungen im Radio- oder Fernsehempfang verursachen, und (2) dieses Gerät muss sämtliche empfangenen Interferenzen tolerieren, einschließlich Interferenzen, die seinen Betrieb stören können.

#### HINWEIS

Dieses Gerät wurde getestet und erfüllt die Grenzwerte für ein digitales Gerät der Klasse B gemäß Teil 15 der FCC-Regularien. Diese Grenzwerte dienen dazu, einen angemessenen Schutz gegenüber Funkstörungen in einer Hausinstallation zu bieten. Dieses Gerät erzeugt, nutzt und kann Funkfrequenzenergien ausstrahlen und kann bei fehlerhafter Installation und Nutzung im Widerspruch zu den Anweisungen Funkstörungen im Funkverkehr erzeugen. Es wird jedoch keine Gewährleistung dafür abgegeben, dass in bestimmten Installationen keine Funkstörungen auftreten. Wenn vorliegende Einrichtung Funkstörungen im Radio- oder Fernsehempfang verursacht, was sich durch das Aus- und Ausschalten der Anlage überprüfen lässt, wird der Benutzer aufgefordert, diese Funkstörungen durch eine oder mehrere der folgenden Maßnahmen zu beheben:

—Neuaustrichtung oder Verlegung der Empfangsantenne.

—Bessere Trennung von Gerät und Empfänger.

—Anschluss der Einrichtung an eine Steckdose in einem Stromkreis, an dem der Empfänger nicht angeschlossen ist.

—Beratung durch Händler oder einen erfahrenen Radio-/Fernsehmechaniker.

Diese Einrichtung entspricht den FCC-Grenzwerten für Strahlenbelastungen, die für eine nicht kontrollierte Umgebung festgelegt wurden.

### Kanadische Industriennorm (Industry Canada, IC) Übereinstimmungserklärung für Kanada

Dieses Gerät entspricht der/den lizenzfreien RSS-Norm(en) der kanadischen Industriennorm. Der Betrieb unterliegt den beiden folgenden Bedingungen: (1) Dieses Gerät darf keine Funkstörungen im Radio- oder Fernsehempfang verursachen und (2) dieses Gerät muss sämtliche empfangenen Interferenzen tolerieren, einschließlich Interferenzen, die seinen Betrieb stören können.

CAN ICES-3 (B)/NMB-3(B)

Weder Segway Inc. noch Ninebot haften für irgendwelche Änderungen oder Modifikationen, die nicht ausdrücklich von Segway Inc. oder Ninebot genehmigt worden sind. Durch solche Änderungen kann die Berechtigung des Benutzers auf den Betrieb der Einrichtung unwirksam werden.

Für das Modell: ES1/ES2/ES4  
FCC ID: 2ALS8-NT9527  
IC: 22636-NT9527

### Übereinstimmungserklärung der Europäischen Union Batterierecyclinginformationen für die Europäische Union



Batterien oder Batteriepackungen sind gemäß der Europäischen Richtlinie 2006/66/EG über Batterien und Akkumulatoren sowie Altbatterien und Alttakkumulatoren gekennzeichnet. Diese Richtlinie legt die Rahmenbedingungen für die Rückgabe und das Recycling benutzter Batterien und Akkumulatoren gemäß der Anwendung in der Europäischen Union fest. Dieser Aufkleber wird für unterschiedliche Batterien verwendet, um anzuzeigen, dass die Batterie nicht weggeworfen werden darf, sondern gemäß dieser Richtlinie an ihrem Lebensende zwecks Wiederverwertung eingesammelt werden muss.

In Übereinstimmung mit der Europäischen Richtlinie 2006/66/EG sind Batterien und Akkumulatoren gekennzeichnet, um anzugeben, dass diese gesondert eingesammelt und an ihrem Lebensende recycelt werden müssen. Auf dem Aufkleber auf der Batterie kann sich auch ein chemisches Symbol für das in der Batterie verwendete Metall befinden (Pb für Blei, Hg für Quecksilber und Cd für Kadmium). Benutzern von Batterien und Akkumulatoren ist es untersagt, Batterien und Akkumulatoren als unsortierten Haushaltsabfall zu entsorgen. Diese sind vielmehr in das den Kunden für die Rückgabe, das Recycling und die Verarbeitung von Batterien und Akkumulatoren zur Verfügung stehende Entsorgungsnetzwerk zu überführen. Das Engagement des Kunden ist dabei von Bedeutung, um alle potentiellen Auswirkungen von Batterien und Akkumulatoren auf die Umwelt und die menschliche Gesundheit aufgrund darin enthaltener potentiell gefährlicher Substanzen zu minimieren.

#### Richtlinie zum Verbot von gefährlichen Stoffen (RoHS)

In der Europäischen Union von Ninebot am oder nach dem 3. Januar 2013 verkauften Produkte erfüllen die Erfordernisse der Richtlinie 2011/65/EU zur Beschränkung der Verwendung bestimmter gefährlicher Stoffe in Elektro- und Elektronikgeräten ("RoHS recast" oder "RoHS 2").

#### Richtlinie zu Funk- und Telekommunikationsendgeräten



#### Segway Europe B.V.

EU-Kontaktadresse für regulatorische Fragen ausschließlich: Hogeihweg 8, 1101 CC Amsterdam, Niederlande.

Hiermit erklärt Ninebot (Changzhou) Tech Co., Ltd, dass die in diesem Abschnitt aufgeführte drahtlose Einrichtung die wesentlichen Bedingungen und sonstigen relevanten Vorschriften der Richtlinie 2014/53/EU erfüllt.

## 14 Marke und rechtlicher Hinweis

Ninebot und das Formsymbol sind Marken von Ninebot (Tianjin) Tech. Co., Ltd; Segway ist die eingetragene Marke von Segway Inc.; Android, Google Play sind Marken von Google Inc. App Store ist eine Dienstleistungsmarke von Apple Inc. Die entsprechenden Inhaber behalten sich die Rechte an ihren Marken vor, auf die in vorliegendem Handbuch verwiesen wird.

Der KickScooter unterliegt dem Schutz entsprechender Patente. Patentinformationen finden Sie unter <http://www.segway.com>.

Wir haben versucht, Beschreibungen und Anweisungen für alle Funktionen des KickScooter zum Zeitpunkt des Drucks anzugeben. Ihr KickScooter kann sich jedoch geringfügig von dem im vorliegenden Dokument gezeigten Modell unterscheiden. Besuchen Sie den Apple App Store (iOS) oder den Google Play Store (Android) zum Herunterladen und Installieren der App.

Bitte beachten Sie, dass es zahlreiche Segway und Ninebot Modelle mit unterschiedlichen Funktionen gibt und dass einige der hier genannten Funktionen für Ihr Modell nicht zutreffend sind. Der Hersteller behält sich das Recht vor, Design und Funktionalität des KickScooter-Produktes sowie die Dokumentation ohne vorherige Mitteilung zu ändern.

© 2017 Segway Inc. Alle Rechte vorbehalten.

## 15 Kontakt

Bitte wenden Sie sich an uns, wenn Probleme im Zusammenhang mit der Benutzung, Wartung und Sicherheit oder wenn Fehler/Probleme mit Ihrem KickScooter auftreten sollten.

### **Amerika:**

#### **Segway Inc.**

14 Technology Drive, Bedford, NH 03110, USA

Tel.: 1-603-222-6000

Fax: 1-603-222-6001

Gebührenfrei: 1-866-473-4929

E-Mail Verkaufsabteilung: [customeroperation@segway.com](mailto:customeroperation@segway.com)

E-Mail Kundendienstabteilung: [technicalsupport@segway.com](mailto:technicalsupport@segway.com)

Website: [www.segway.com](http://www.segway.com)

### **EEuropa, Mittlerer Osten und Afrika:**

#### **Segway Europe B.V.**

Hogehilweg 8, 1101 CC Amsterdam, Niederlande

E-Mail Service: [service@segway.eu.com](mailto:service@segway.eu.com)

Website: [www.segway.com](http://www.segway.com)

Bitte halten Sie die Seriennummer Ihres KickScooter bereit, wenn Sie Segway kontaktieren.

Sie finden die Seriennummer auf der Unterseite Ihres KickScooter oder in der App unter Weitere Einstellungen -> Basisangaben.

# Manuale utente

by **SEGWAY**

Der Hersteller behält sich jederzeit das Recht von Produktänderungen, der Herausgabe von Firmware-Updates und der Aktualisierung dieses Handbuchs vor. Besuchen Sie [www.segway.com](http://www.segway.com) oder schauen Sie auf der App nach, um sich die neuesten Benutzermaterialien herunterzuladen. Sie müssen die App installieren und Ihren KickScooter aktivieren, um die neuesten Updates und Sicherheitshinweise zu erhalten.

[www.segway.com](http://www.segway.com)

**ninebot<sup>®</sup> KickScooter**

ANSI/CAN/UL-2272 certificato; ANSI/UL 2271 certificato  
Traduzione delle istruzioni originali

## Indice

1 Sicurezza di guida	02
2 Lista imballaggio	04
3 Schema	05
4 Assemblare il KickScooter	06
5 Installare un Secondo Pacco Batteria	07
6 Prima Corsa	08
7 Ricarica	09
8 Imparare a guidare	09
9 Avvertenze	11
10 Piegatura e Trasporto	15
11 Manutenzione	16
12 Specifiche	17
13 Certificazioni	18
14 Marchio commerciale e dichiarazione legale	20
15 Contatti	21

## Grazie per aver scelto il Ninebot KickScooter serie ES!

Grazie per aver scelto il Ninebot KickScooter (di seguito KickScooter)!

Il KickScooter è un dispositivo di trasporto alla moda con app mobile, che permette di connettersi con altri piloti.

Goditi la tua corsa e connettiti con i piloti in tutto il mondo!



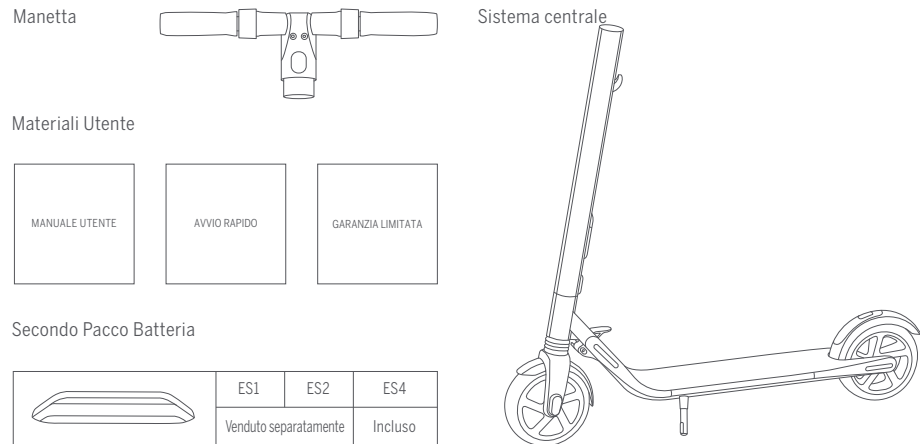
### ▲ AVVERTENZA!

Utilizzare sempre il freno elettrico e il freno a pedale per l'arresto di emergenza. Altrimenti si rischiano cadute e/o collisioni generate dal mancato raggiungimento della massima capacità di frenata.

# 1 Sicurezza di Guida

1. Il KickScooter è un trasportatore ricreativo. Prima di padroneggiare le abilità di guida, è necessario fare pratica. Né Ninebot Inc. o Segway Inc. saranno responsabili di eventuali lesioni o danni causati dall'inesperienza di un pilota o dal mancato rispetto delle istruzioni di questo documento.
2. Si prega di comprendere che è possibile ridurre il rischio seguendo tutte le istruzioni e gli avvisi contenuti nel presente manuale, ma non è possibile eliminare tutti i rischi. Ricordare che ogni volta che si guida il KickScooter si rischiano lesioni da perdite di controllo, collisioni e cadute. Quando si entra negli spazi pubblici, rispettare sempre le leggi e le normative locali. Come con altri veicoli, velocità maggiori richiedono una distanza di frenata maggiore. Una frenata improvvisa su basse superfici di trazione potrebbe portare a scivolare o cadere. Prestare attenzione e mantenere sempre una distanza sicura tra sé stessi e le altre persone o veicoli quando si guida. Essere attenti e rallentare quando si entra in aree sconosciute.
3. Indossare sempre un casco durante la corsa. Utilizzare un casco di bicicletta o skateboard approvato che si adatti correttamente con la cinghia del mento in posizione e fornisca protezione per la nuca.
4. Non tentare la prima corsa in nessuna zona in cui si trovino dei bambini, pedoni, animali domestici, veicoli, biciclette o altri ostacoli e pericoli potenziali.
5. Rispettare i pedoni, dando loro sempre la precedenza. Sorpassare a sinistra quando possibile. Quando ci si avvicina a un pedone dalla parte anteriore, rimanere a destra e rallentare. Evitare i pedoni insicuri nella loro marcia. Quando ci si avvicina da dietro, farsi notare e rallentare portandosi alla velocità di marcia normale quando si sorpassa. Osservare le leggi e i regolamenti sul traffico locale se la situazione è diversa.
6. Nei luoghi non presidiati dalla legge, rispettare le linee guida di sicurezza descritte in questo manuale. Né Ninebot Inc. o Segway Inc. saranno responsabili di eventuali danni alla proprietà, lesioni personali/decessi, incidenti o contenziosi legali causati da violazioni delle istruzioni di sicurezza.
7. Non permettere a chiunque di guidare il proprio KickScooter se non ha letto attentamente questo manuale e ha seguito il tutorial di New Rider nell'app. La sicurezza dei nuovi piloti ricade sotto la tua responsabilità. Aiutare i nuovi piloti fino a quando non sono a loro agio con il funzionamento di base del KickScooter. Assicurarsi che ogni nuovo pilota indossi un casco e altri dispositivi di protezione.
8. Prima di ogni giro, verificare che non ci siano componenti allentati e danneggiati. Se KickScooter emette suoni anomali o segnala un allarme, interrompere immediatamente la corsa. Diagnosticare il proprio KickScooter tramite il Segway-Ninebot App e contattare il proprio rivenditore/distributore per l'assistenza.
9. Stare attenti! Analizzare l'ambiente ben lontano e di fronte al KickScooter - gli occhi sono lo strumento migliore per evitare in modo sicuro gli ostacoli e le superfici a bassa trazione (ivi compreso, ma non limitato a, terreno bagnato, sabbia sciolta, ghiaia sciolta e ghiaccio).
10. Per ridurre il rischio di lesioni, è necessario leggere e seguire tutte le informazioni di "ATTENZIONE" e "AVVERTENZA" in questo documento. Non correre ad una velocità non sicura. In nessuna circostanza bisogna guidare su strade dove circolano autoveicoli. Il produttore consiglia l'utilizzo a guidatori maggiori di anni 14. Seguire sempre queste istruzioni di sicurezza:
  - A. Le persone che non devono guidare il KickScooter includono:
    - i. Chiunque sia sotto l'influenza di alcool o droghe.
    - ii. Chi soffre di malattie che lo mettono a rischio se esercita in una faticosa attività fisica.
    - iii. Chiunque abbia problemi di equilibrio o di competenze motorie che interferiscano con la sua capacità di mantenere l'equilibrio.
    - iv. Chiunque abbia un peso al di fuori dei limiti indicati (vedere Specifiche).
    - v. Donne in gravidanza.
  - B. I piloti con meno di 18 anni dovrebbero guidare sotto la supervisione degli adulti.
  - C. Rispettare le leggi e le normative locali quando si guida questo prodotto. Non guidare dove vietato dalle leggi locali.
  - D. Per guidare in modo sicuro, è necessario essere in grado di vedere chiaramente ciò che è davanti a sé e deve essere chiaramente visibile agli altri.
  - E. Non correre mai sulla neve, sotto la pioggia o su strade bagnate, fangose, ghiacciate o che siano scivolose. Non correre su ostacoli (sabbia, ghiaia sciolta o bastoni). Così facendo, potrebbe verificarsi una perdita di equilibrio o trazione e si potrebbe causare una caduta.
11. Non tentare di caricare KickScooter se il caricabatteria o la presa di corrente sono bagnati.
12. Come per qualsiasi dispositivo elettronico, utilizzare una protezione di sovratensione quando si carica, in modo da proteggere il proprio KickScooter dai danni causati da sovratensioni di corrente e picchi di tensione. Utilizzare esclusivamente il caricabatteria fornito da Segway. Non utilizzare un caricabatteria da qualsiasi altro modello di prodotto.
13. Utilizzare solo parti e accessori approvati da Ninebot o Segway. Non modificare il proprio KickScooter. Le modifiche al proprio KickScooter potrebbero interferire con il funzionamento del KickScooter, potrebbero provocare gravi lesioni e/o danni e potrebbero invalidare la Garanzia Limitata.

## 2 Lista imballaggio



### Accessori

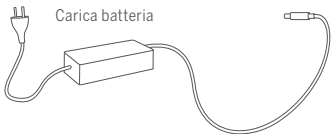
M5 Vite a testa piatta x 5  
(una extra)



3mm Chiave esagonale



Carica batteria

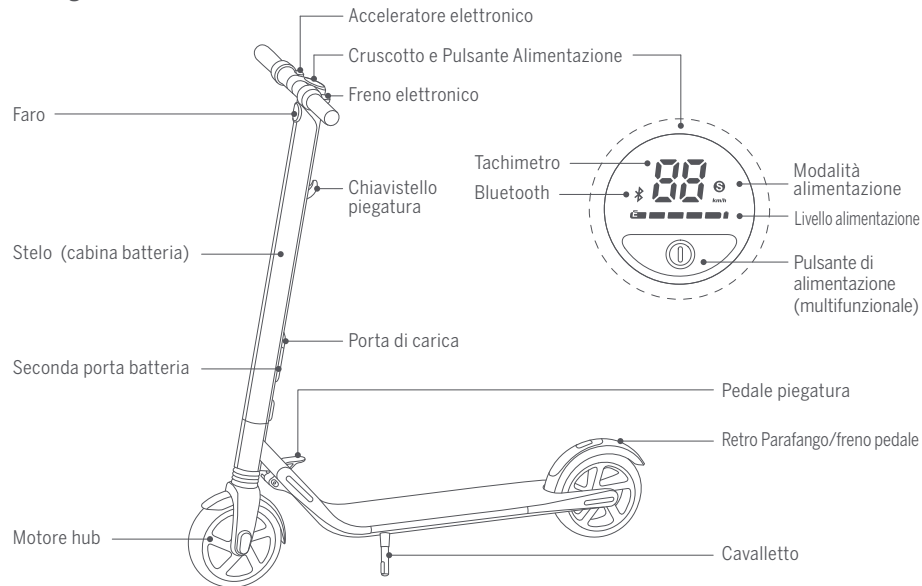


Quando si disimballa il KickScooter, verificare che gli elementi di cui sopra siano inclusi nel pacchetto. Se manca qualsiasi componente, contattare il rivenditore/distributore o il centro di assistenza più vicino (vedere contatti nel manuale dell'utente). Dopo aver verificato che tutti i componenti siano presenti e in buone condizioni, è possibile assemblare il nuovo KickScooter.

Si prega di conservare la scatola e i materiali di confezionamento nel caso in cui sia necessario spedire il proprio KickScooter in futuro.

Ricordarsi di spegnere il KickScooter e di scollegare il cavo di ricarica prima di assemblare, montare accessori o pulire il sistema centrale.

## 3 Diagramma



### Cruscotto e Pulsante Avvio

Tachimetro: Indica la velocità attuale. Visualizza anche i codici di errore quando vengono rilevati guasti.

Livello alimentazione: Indica il livello della batteria rimanente con 5 barre. Ogni barra equivale a circa il 20 % del livello di potenza.

Modalità di alimentazione (fare doppio clic sul pulsante di alimentazione per passare alla modalità):

— Icona rossa "S": Modalità sportiva (massima potenza/velocità e intervallo ridotto).

— Icona bianca "S": Modalità standard (moderata potenza/velocità e intervallo).

— Nessuna icona "S": Modalità limite di velocità (potenza/velocità minima e intervallo aumentato).

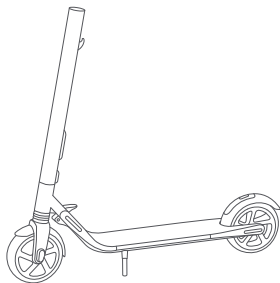
Bluetooth: L'icona Bluetooth lampeggiante indica che il veicolo è pronto per la connessione. Un' icona fissa Bluetooth indica che il veicolo è collegato a un dispositivo mobile.

Pulsante di alimentazione: Premere brevemente per accendere. Premere a lungo per spegnere. Quando acceso, fare un clic per accendere/spegnere il faro. Fare doppio clic per cambiare la modalità di alimentazione.

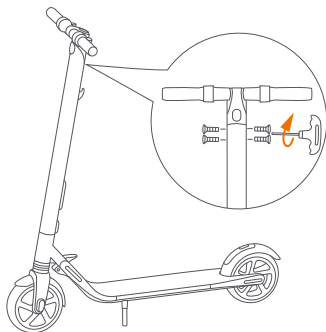


## 4 Assemblaggio del KickScooter

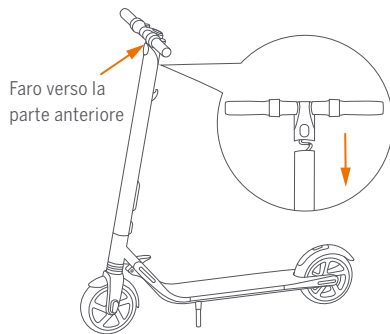
1. Aprire lo stelo e spingerlo fino a quando non si sente un clic. Poi svolgere il kickstand/braccio per sostenere lo scooter.



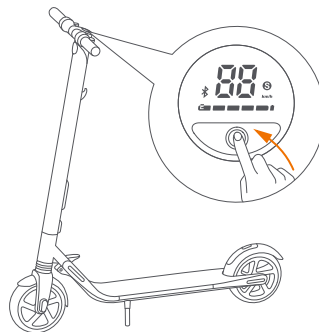
3. Installare quattro viti (due su ciascun lato) con la chiave esagonale inclusa.



2. Collegare saldamente i fili all'interno della manetta e dello stelo. Far scorrere l'impugnatura sullo stelo. Essere consapevoli dell'orientamento corretto.



4. Verificare che il KickScooter si accenda e spenga.

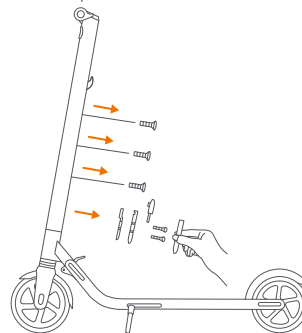


## 5 Installazione di un secondo pacco batteria

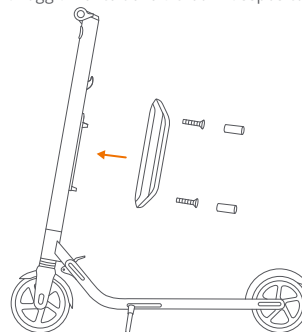
**⚠ ATTENZIONE:** Usare solamente le viti in dotazione con il prodotto!

Seguire questi passaggi quando si installa un secondo pacco batteria:

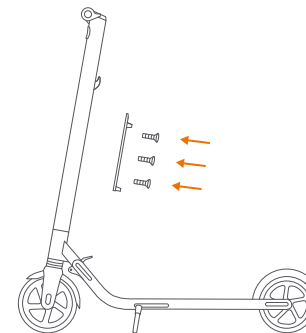
1. Rimuovere le tre viti sullo stelo, come mostrato. Rimuovere quindi il coperchio vicino alla porta di carica.



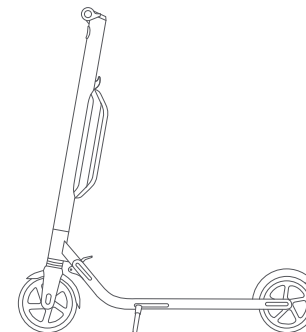
3. Installare la batteria esterna sul supporto e montarla con le 2 viti M4 (20mm) in dotazione con il prodotto. Dopo averle installate propriamente, chiudere l'alloggiamento delle viti con l'assopisto gommino.



2. Installare il supporto con le 3 viti M4 (10mm) in dotazione con il prodotto. Controllare attentamente che sia correttamente montato.



4. Verificare che il KickScooter si accenda e spenga.



## 6 Prima corsa

⚠ Ci sono rischi per la sicurezza quando si impara a guidare il KickScooter. Bisogna leggere le istruzioni di sicurezza tramite l' App prima di realizzare la prima corsa.

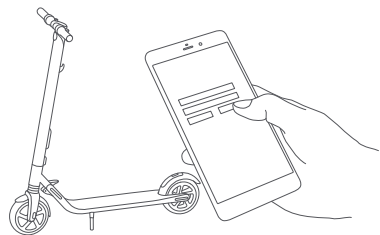
Per la propria sicurezza, il nuovo KickScooter non è attivo ed emetterà occasionalmente un "bip" dopo l'accensione.

Fino all'attivazione, KickScooter mantiene una velocità di guida molto bassa e non può essere guidato con piena funzionalità. Installare l'applicazione sul proprio dispositivo mobile (con Bluetooth 4.0 O superiore), connettersi al KickScooter con Bluetooth e seguire le istruzioni dell'applicazione per attivare il KickScooter ed usufruire di una prestazione completa.

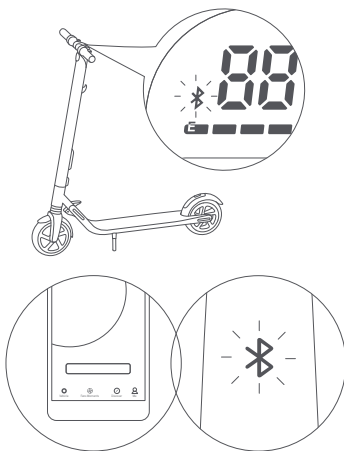
Scansionare il codice QR per scaricare l'App (iOS 8.0 o superiore, Android™ 4.3 o superiore).



1 Installare l'applicazione e registrarsi/accedere.



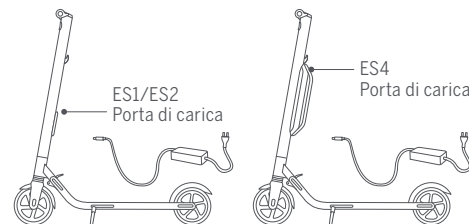
2 Accendere il KickScooter. Un'icona Bluetooth lampeggiante indica che KickScooter è in attesa di una connessione.



3 Fare clic su "Cerca dispositivo" per connettersi al KickScooter. Il KickScooter emette un segnale acustico quando la connessione è riuscita. L'icona Bluetooth smetterà di lampeggiare e resterà illuminata.

4 Seguire le istruzioni App per attivare KickScooter e imparare a guidare in modo sicuro. Ora è possibile iniziare ad utilizzare il KickScooter, controllare lo stato con l' App e interagire con altri utenti. Divertititi!

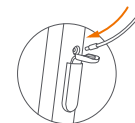
## 7 Ricarica



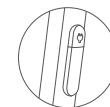
Consigli per una corretta ricarica



Aprire il coperchio della porta di carica.



Inserire la spina di carica.



Chiudere il coperchio della porta di carica quando si finisce.

⚠ **AVVERTENZA**

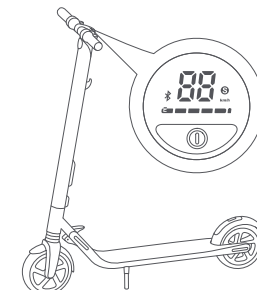
**Non collegare il caricabatterie se la porta di carica o il cavo di carica sono bagnati.**

Il KickScooter è completamente carico quando il LED sul caricabatterie cambia da rosso (carica) a verde (carica di compensazione). Chiudere il coperchio della porta di carica quando non si effettua la ricarica.

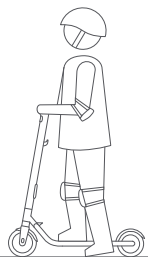
## 8 Imparare a guidare



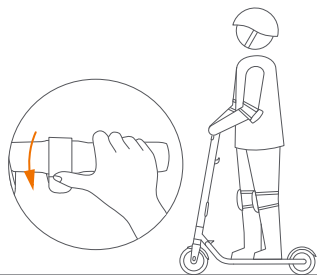
Indossare un casco approvato e altri dispositivi di protezione per minimizzare eventuali lesioni.



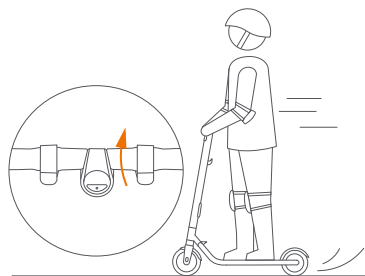
1. Accendere lo scooter e controllare il livello di potenza della spia. Caricare lo scooter se il livello della batteria è basso.



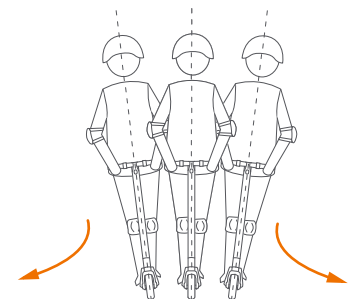
2. Appoggiarsi sul poggiapiedi con un piede e spingere con il piede per iniziare a scorrere.



3. Mettere l'altro piede sul poggiapiedi per mantenere entrambi i piedi stabili. Premere l'acceleratore a destra per accelerare quando si è bilanciati.  
**Nota:** per la propria sicurezza, il motore non si collega fino a quando lo scooter non raggiunge i 3 km/h.



4. Rallentare rilasciando l'acceleratore, azionare rapidamente la leva a pollice del freno sul manubrio e premere contemporaneamente il parafango con il piede per attivare la frenatura meccanica e realizzare quindi una frenata decisa.



5. Per svoltare, spostare il peso del corpo e girare leggermente la manetta.

**⚠ AVVERTENZA**

Quando si frena rapidamente si rischia di ferirsi seriamente a causa della perdita di trazione e delle cadute. Mantenere una velocità moderata e fare attenzione ai rischi potenziali.

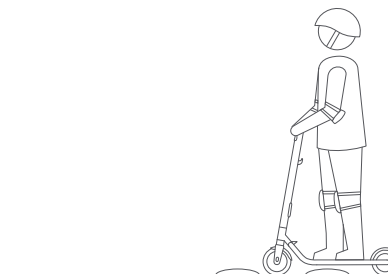
## 9 Avvertenze

**⚠ AVVERTENZA**

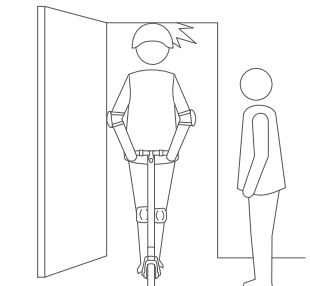
La mancata osservanza di queste istruzioni può causare gravi lesioni.



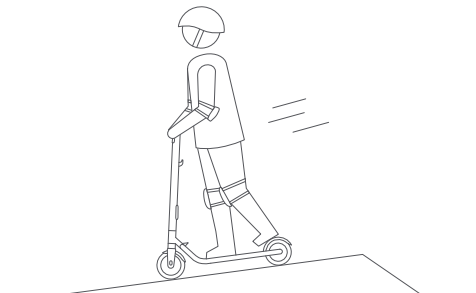
**⚠** NON guidare lo scooter sotto la pioggia.



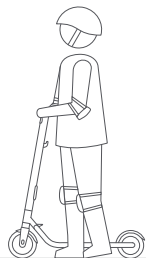
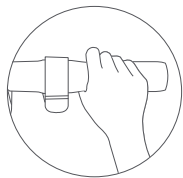
**⚠** NON guidare su dissuasori di velocità, soglie o altri punti di impatto ad ALTA VELOCITÀ.




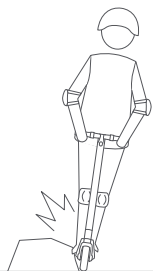
**⚠** Fare attenzione alla testa quando si passa attraverso le porte.




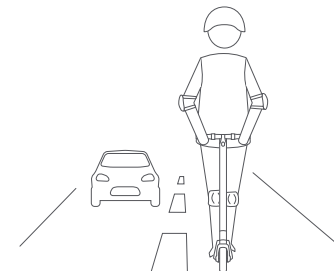
**⚠** Controllare la velocità se si va in discesa. Utilizzare entrambi i freni insieme quando si viaggia ad alta velocità.




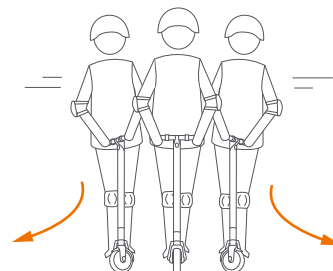
 **NON** premere l'acceleratore quando si cammina con lo scooter.




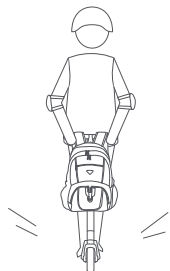
 **Evitare** di impattare gli ostacoli con il pneumatico/ruota.




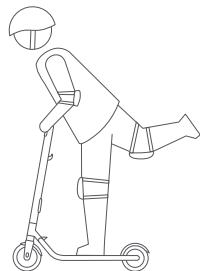
 **NON** correre su strade pubbliche, autostrade o superstrade.



 **NON** ruotare violentemente la manetta durante la guida ad alta velocità.




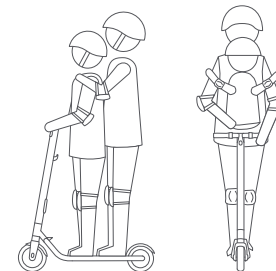
 **NON** trasportare oggetti pesanti sul manubrio.




 **NON** guidare lo scooter con un solo piede.

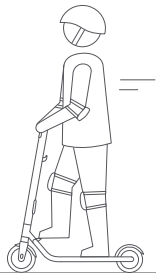


 **NON** attraversare le pozzanghere o altri corpi d'acqua più profondi di 1 pollice (2 cm).

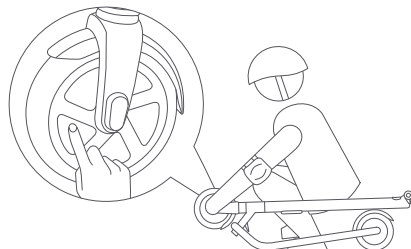


 **Il KickScooter è solo per un pilota.** Non guidarlo in due, né trasportare alcun passeggero. Non trasportare un bambino.

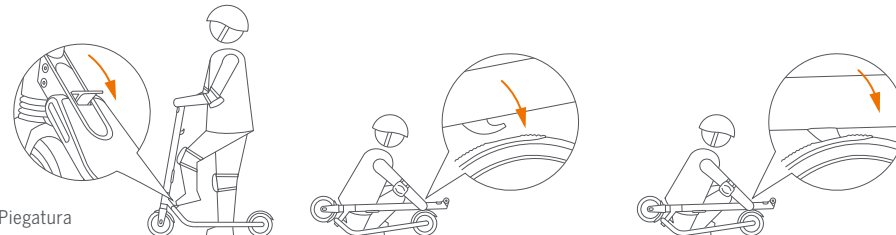
## 10 Piegatura e Trasporto



⚠️ NON salire sul pedale ribaltabile durante la guida.

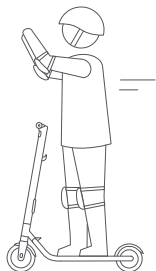


⚠️ NON toccare il motore del mozzo dopo aver guidato perché può diventare caldo.

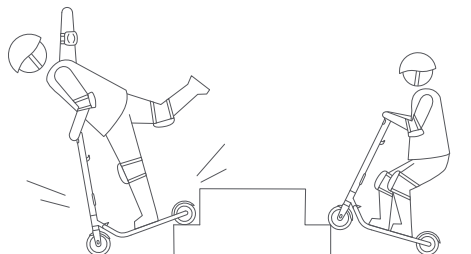


Piegatura

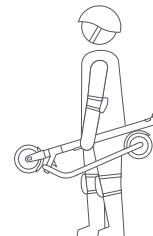
Salire sul pedale ribaltabile spingendo leggermente in avanti il manubrio. Quindi piegare il manubrio in giù fino a quando si blocca nel parafango posteriore.



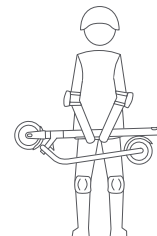
⚠️ NON togliere le mani dal manubrio durante la guida. Non guidare con una sola mano.



⚠️ NON salire su e giù per le scale o saltare sugli ostacoli.



Trasporto



Quando il KickScooter viene ripiegato, sollevare semplicemente lo stelo per trasportarlo.

### ⚠️ AVVERTENZA

Tenere entrambe le mani sul manubrio per non rischiare gravi lesioni a causa della perdita di equilibrio e cadute.

## 11 Manutenzione

### Pulizia e Conservazione

Utilizzare un panno morbido e bagnato per pulire il sistema centrale. Lo sporco difficile da rimuovere può essere lavato con uno spazzolino da denti e un dentifricio, poi pulito con un panno morbido e bagnato. I graffi sulle parti in plastica possono essere lucidati con carta abrasiva a grana fine.

### NOTA

Non lavare il KickScooter con alcool, benzina, acetone o altri solventi corrosivi/volatili. Queste sostanze possono danneggiare l'aspetto e la struttura interna del KickScooter. Non lavare il KickScooter con una canna o idropulitrice.

### ⚠ AVVERTENZA

Assicurarsi che KickScooter sia spento, che il cavo di ricarica sia scollegato e che il tappo in gomma sulla porta di carica sia ben sigillato prima della pulizia; altrimenti si rischia di danneggiare i componenti elettronici.

Conservare il KickScooter in un luogo fresco e asciutto. Non conservarlo all'aperto per lunghi periodi di tempo. L'esposizione alla luce solare e a temperatura estrema (sia calda che fredda) accelera il processo di invecchiamento dei componenti in plastica e può ridurre la durata della batteria.

### Manutenzione del Pacco Batteria

Non conservare o caricare la batteria a temperature superiori ai limiti indicati (vedere Specifiche). Non forare la batteria. Fare riferimento alle leggi e alle normative locali in materia di riciclaggio e /o smaltimento delle batterie.

Una batteria ben mantenuta può funzionare bene anche dopo molti chilometri di guida. Caricare la batteria dopo ogni corsa e evitare di scaricare completamente la batteria. Se utilizzata a temperatura ambiente (70°F [22°C]) la gamma e le prestazioni della batteria sono al massimo; mentre se si utilizza a temperature inferiori 32°F (0°C) potrebbero ridursi la gamma e le prestazioni. In genere, a -4°F (-20°C) la gamma può essere pari a quella della stessa batteria 70°F (22°C). La gamma delle batterie si ripristinerà quando la temperatura aumenta. Ulteriori dettagli sono disponibili nell'app.

### NOTA

In genere, una batteria completamente carica dovrebbe mantenere la carica per 120-180 giorni in modalità Standby. Una batteria a bassa potenza dovrebbe mantenere la carica per 30-60 giorni in modalità Standby. Ricordarsi di ricaricare la batteria dopo ogni uso. La scarica completa della batteria può causare danni permanenti alla batteria. L'elettronica all'interno della batteria registra la condizione di carica-scarica della batteria; i danni causati da sovraccarico o sotto-scarica non saranno coperti dalla Garanzia Limitata.

### ⚠ AVVERTENZA

Non tentare di smontare la batteria. Rischio di incendio. Nessun componente riparabile.

### ⚠ AVVERTENZA

Non utilizzare quando la temperatura non rientra nella temperatura di funzionamento della macchina (vedi Specifiche) perché una temperatura bassa/alta limita l'energia massima. Questo può causare infortuni personali o danni alle cose a causa di scivolate o cadute.

## 12 Specifiche

	Articolo	ES1	ES2	ES4
Dimensioni	Non piegato: Lunghezza x Larghezza x Altezza	40x17x45 in (102x43x113 cm)		
	Piegato: Lunghezza x Larghezza x Altezza	45x17x13 in (113x43x32 cm)		
Peso	Netto	24.9 lbs (11.3 kg)	27.6 lbs (12.5 kg)	30.9 lbs (14.0 kg)
Pilota	Carico utile	55–220 lbs (25–100 kg)		
	Età consigliata	14+ years		
	Altezza Richiesta	3' 11"–6' 6" (120–200 cm)		
Parametri Macchina	Velocità Max.	12.4 mph (20 km/h)	15.5 mph (25 km/h)	18.6 mph (30 km/h)
	Gamma Tipica <sup>[1]</sup>	15.5 miles (25 km)	15.5 miles (25 km)	28.0 miles (45 km)
	Inclinazione Massima	10%	10%	15%
	Terreno attraversabile	asfalto/pavimentazione piatta; ostacoli < 0,4 in (1 cm); intervalli < 1,2 in (3 cm)		
	Temperatura di funzionamento	14–104°F (-10–40°C)		
	Temperatura di immagazzinamento	-4–122°F (-20–50°C)		
	Classe IP	IP54		
Batteria	Tensione nominale	36 VDC		
	Tensione massima di ricarica	42 VDC		
	Temperatura di ricarica	32–104°F (0–40°C)		
	Capacità nominale	187 Wh	187 Wh	374 Wh
	Sistema di Gestione Batterie	Protezione da sovriscaldamento, cortocircuito, sovraccorrente e sovraccarica		
Motore	Numero di Batterie <sup>[2]</sup>	1	1	2
	Potenza nominale	250 W	300 W	300 W
	Potenza massima	500 W	700 W	800 W
Caricatore	Uscita Potenza nominale	71 W		
	Tensione nominale in entrata	100-240 VAC		
	Tensione nominale in uscita	42 VDC		
	Corrente nominale	1.7 A		
	Durata della Ricarica	3.5 h	3.5 h	7 h
Caratteristiche	Ammortizzatore	fronte	fronte e retro	
	Luce Freno	riflettore	Luce a LED retro	
	Luce di atmosfera	N/A	Colore personalizzabile	
	Metodi di corsa	Modalità Limite Velocità, modalità Standard e modalità Sport		

[1] Gamma tipica: testata durante la guida a piena potenza. 165lbs (75 kg) carica, 77°F (25°C), 60% di max. velocità in media sul marciapiede.

[2] Tutti i modelli KickScooter potrebbero avere installata la seconda batteria. In questo caso alcuni parametri cambiano.

## 13 Certificazioni

Questo prodotto è stato testato e ha superato ANSI/CAN/UL-2272.

La batteria è conforme a UN/DOT 38.3.

La seconda batteria è conforme agli standard ANSI/UL 2271 e UN/DOT 38.3.

### Dichiarazione di conformità della Federal Communications Commission (FCC) per gli Stati Uniti

Questo dispositivo è conforme alla parte 15 delle norme FCC. Il funzionamento è soggetto alle seguenti due condizioni: (1) Questo dispositivo non può causare interferenze dannose e (2) Questo dispositivo deve accettare tutte le interferenze ricevute, incluse le interferenze che possono causare operazioni indesiderate.

#### NOTA

Questa apparecchiatura è stata testata e trovata conforme ai limiti per un dispositivo digitale di classe B, ai sensi della parte 15 delle Norme FCC. Questi limiti sono progettati per fornire una protezione ragionevole contro le interferenze dannose in un'installazione residenziale. Questa apparecchiatura genera, usa e può irradiare energia a radiofrequenza e, se non viene installata e utilizzata in conformità alle istruzioni, può causare interferenze dannose alle comunicazioni radio. Tuttavia, non vi è alcuna garanzia che non si verifichino interferenze in un'installazione particolare. Se questa apparecchiatura provoca interferenze dannose alla ricezione radio o televisiva, che può essere determinata spegnendo e riaccendendo l'apparecchio, l'utente è incoraggiato a provare a correggere l'interferenza con una o più delle seguenti misure:

- Riorientare o trasferire l'antenna ricevente.
- Aumentare la separazione tra l'apparecchio e il ricevitore.
- Collegare l'apparecchiatura ad una presa su un circuito diverso da quello a cui è collegato il ricevitore.
- Consultare il rivenditore o un esperto tecnico radio/TV per assistenza.

Questa apparecchiatura è conforme ai limiti di esposizione delle radiazioni FCC previsti per un ambiente non controllato.

### Dichiarazione di conformità Industry Canada (IC) per il Canada

Questo dispositivo è conforme agli standard RSS di esenzione per licenza Industry Canada. Il funzionamento è soggetto alle seguenti due condizioni: (1) Questo dispositivo non può causare interferenze e (2) Questo dispositivo deve accettare tutte le interferenze, incluse le interferenze che possono causare un funzionamento indesiderato del dispositivo.

CAN ICES-3 (B)/NMB-3(B)

Né Segway Inc. o Ninebot è responsabile di eventuali cambiamenti o modifiche non espressamente approvate da Segway Inc. o Ninebot. Tali modifiche potrebbero invalidare l'autorizzazione dell'utente ad utilizzare l'apparecchiatura.

Per il modello: ES1/ES2/ES4  
FCC ID: 2ALS8-NT9527  
IC: 22636-NT9527

### Dichiarazione di conformità dell'Unione europea Informazioni sul riciclaggio della batteria per l'Unione europea



Le batterie o le confezioni per le batterie sono etichettate in conformità alla Direttiva europea 2006/66/CE relativa alle batterie e agli accumulatori e alle batterie e agli accumulatori come rifiuti. La Direttiva definisce il quadro per la resa e il riciclaggio di batterie e accumulatori usati, applicabile in tutta l'Unione europea. Questa etichetta è applicata a diverse batterie per indicare che la batteria non deve essere gettata, ma recuperata dopo la fine della vita in base a questa direttiva.

Conformemente alla Direttiva europea 2006/66/CE, le batterie e gli accumulatori sono etichettati per indicare che devono essere raccolti separatamente e riciclati alla fine della vita. L'etichetta sulla batteria può anche includere un simbolo chimico per il metallo interessato nella batteria (Pb per piombo, Hg per mercurio e Cd per cadmio). Gli utenti di batterie e accumulatori non devono smaltire le batterie e gli accumulatori come rifiuti urbani non differenziati, ma utilizzare il quadro di raccolta disponibile per i clienti per i resi, il riciclaggio e il trattamento delle batterie e degli accumulatori. La partecipazione del cliente è importante per ridurre al minimo gli effetti potenziali delle batterie e degli accumulatori sull'ambiente e sulla salute umana a causa della potenziale presenza di sostanze pericolose.

#### Direttiva sulla restrizione di sostanze pericolose (RoHS)

I prodotti Ninebot venduti nell'Unione europea, entro e non oltre il 3 gennaio 2013, soddisfano i requisiti della direttiva 2011/65/EU sulla restrizione dell'uso di talune sostanze pericolose nelle apparecchiature elettriche ed elettroniche ("RoHS recast" o "RoHS 2").

#### Direttiva sulle apparecchiature terminali di radio e di telecomunicazioni



#### Segway Europe B.V.

indirizzo di contatto dell'UE solo per temi normativi: Hogehilweg 8, 1101CC Amsterdam, Paesi Bassi.

Con la presente, Ninebot (Changzhou) Tech Co., Ltd, dichiara che le apparecchiature senza fili elencate in questa sezione sono conformi alla direttiva requisiti essenziali e altre pertinenti disposizioni della direttiva 2014/53/EU.

## 14 Marchio commerciale e dichiarazione legale

Ninebot e l'icona con la forma sono marchi commerciali di Ninebot (Tianjin) Tech. Co., Ltd; Segway è il marchio registrato di Segway Inc.; Android, Google Play sono marchi di Google Inc. App Store è un marchio di servizio di Apple Inc. I rispettivi proprietari si riservano i diritti dei rispettivi marchi di fabbrica di cui al presente manuale.

KickScooter è coperto dai relativi brevetti. Per informazioni sui brevetti andare su <http://www.segway.com>.

Abbiamo cercato di includere descrizioni e istruzioni per tutte le funzioni del KickScooter al momento della stampa. Tuttavia, il tuo KickScooter può differire leggermente da quello indicato in questo documento. Visita Apple App Store (iOS) o Google Play Store (Android) per scaricare e installare l'App.

Si prega di notare che esistono diversi modelli Segway e Ninebot con diverse funzioni e alcune delle funzioni menzionate in questo documento potrebbero non essere applicabili all'unità. Il produttore si riserva il diritto di modificare la progettazione e la funzionalità del prodotto e della documentazione KickScooter senza preavviso.

© 2017 Segway Inc. Tutti i diritti riservati.

## 15 Contatto

Contattateci se si riscontrano problemi relativi alla guida, alla manutenzione e alla sicurezza o errori/guasti con il proprio KickScooter.

### **Americhe:**

#### **Segway Inc.**

14 Technology Drive, Bedford, NH 03110, USA

Tel : 1-603-222-6000

Fax: 1-603-222-6001

Numero gratuito: 1-866-473-4929

E-mail Vendite: [customeroperation@segway.com](mailto:customeroperation@segway.com)

E-mail Assistenza: [technicalsupport@segway.com](mailto:technicalsupport@segway.com)

Sito internet: [www.segway.com](http://www.segway.com)

### **Europa, Medio Oriente e Africa:**

#### **Segway Europe B.V.**

Hogehilweg 8, 1101CC Amsterdam, Paesi Bassi

E-mail Assistenza: [service@segway.eu.com](mailto:service@segway.eu.com)

Sito internet: [www.segway.com](http://www.segway.com)

Tenere a portata di mano il proprio numero di serie KickScooter quando si contatta Segway.

È possibile trovare il proprio numero di serie sul lato inferiore del KickScooter o nella App sotto Altre impostazioni -> Informazioni di base.



# Manual del usuario

by **SEGWAY**

Il produttore si riserva il diritto di apportare modifiche al prodotto, aggiornare gli aggiornamenti del firmware e aggiornare questo manuale in qualsiasi momento. Visitare [www.segway.com](http://www.segway.com) o controllare l'applicazione per scaricare l'ultimo manuale utente e materiali. È necessario installare l'App, attivare il proprio KickScooter e ottenere gli ultimi aggiornamenti e le istruzioni di sicurezza.

[www.segway.com](http://www.segway.com)

**ninebot<sup>®</sup> KickScooter**

homologación ANSI/CAN/UL-2272; homologación ANSI/UL 2271

Traducción de las instrucciones originales

## Índice

1 Circular con seguridad	02
2 Contenido del paquete	04
3 Diagrama	05
4 Ensamblar el KickScooter	06
5 Instalar una segunda batería	07
6 Primer uso	08
7 Cargar la batería	09
8 Aprender a manejar tu KickScooter	09
9 Advertencias	11
10 Plegado y transporte	15
11 Mantenimiento	16
12 Especificaciones	17
13 Homologaciones	18
14 Marca comercial y declaración legal	20
15 Contacto	21

## ¡Gracias por elegir el Ninebot KickScooter serie ES!

¡Gracias por elegir el Ninebot KickScooter (en adelante, el KickScooter)!

Tu KickScooter es un avanzado dispositivo de transporte con una aplicación móvil que te permite conectarte con otros usuarios.

¡Disfruta de tus desplazamientos y conecta con otros usuarios en todo el mundo!



### ▲ ¡ADVERTENCIA!

Utiliza siempre tanto el freno eléctrico como el freno de pie para una frenada de emergencia.  
En caso contrario, corres riesgo de caídas y/o impactos por no obtener la máxima capacidad de frenado.

# 1 Circular con seguridad

1. El KickScooter es un dispositivo de transporte recreativo. Necesitarás practicar antes de dominar la técnica por completo. Ninebot Inc. y Segway Inc. rechazan toda responsabilidad por posibles lesiones o daños causados por la inexperiencia de un usuario o por no seguir las instrucciones contenidas en este documento.
2. Entiende que puedes reducir el riesgo respetando todas las instrucciones y advertencias en este manual, pero no puedes eliminar todos los riesgos por completo. Recuerda que siempre que utilices el KickScooter te arriesgas a sufrir pérdidas de control, golpes y caídas. Cuando circules por espacios públicos, respeta siempre las normas y leyes locales. Como cualquier vehículo, una velocidad mayor requiere también una mayor distancia de frenado. Frenar bruscamente sobre superficies con baja tracción podría provocar patinazos de las ruedas o caídas. Ten cuidado y mantén siempre una distancia segura entre las otras personas y vehículos y tú mientras circulas. Mantente alerta y aminora la velocidad cuando circules en zonas desconocidas.
3. Utiliza siempre un casco cuando montes en este vehículo. Utiliza un casco homologado para bicicleta o monopatín que se ajuste bien a la cabeza con la banda para la barbilla y ofrezca protección para la parte posterior de la cabeza.
4. No utilices el producto por primera vez en un lugar donde puedas encontrarte con niños, peatones, mascotas, vehículos, bicicletas u otros obstáculos y posibles riesgos.
5. Respeta a los peatones y cédeles siempre el paso. Adelanta por la izquierda siempre que sea posible. Cuando te acerques a un peatón desde delante, mantente a la derecha y reduce la velocidad. Evita sorprender a los peatones. Cuando te acerques desde detrás, avisa de tu presencia y aminora tu velocidad mientras adelantas. En caso de diferencias, obedece las leyes y normativas de tráfico locales.
6. En lugares no sujetos a reglas de tráfico, respeta las indicaciones de seguridad descritas en este manual. Ninebot Inc. y Segway Inc. no se hacen responsables de posibles daños materiales, lesiones personales/muerte, accidentes ni litigios legales causados por incumplir las instrucciones de seguridad.
7. No permitas que nadie utilice tu KickScooter por su cuenta antes de haber leído detenidamente este manual y seguido el tutorial para nuevos usuarios en la app. La seguridad de los nuevos usuarios es tu responsabilidad. Ayuda a los nuevos usuarios hasta que estén familiarizados con el manejo básico del KickScooter. Asegúrate de que cada nuevo usuario utilice un casco y otros equipos de protección.
8. Antes de cada uso, revisa el vehículo en busca de sujeciones sueltas y componentes dañados. Si el KickScooter produce ruidos anormales o emite una alarma, deja de usarlo inmediatamente. Realiza el diagnóstico de tu KickScooter mediante la app Segway-Ninebot y llama a tu agente/distribuidor para repararlo.
9. ¡Mantente alerta! Presta atención tanto justo delante de tu KickScooter como más lejos, tus ojos son la mejor herramienta para evitar de forma segura obstáculos y superficies de baja tracción (incluidas, entre otras, suelo húmedo, arena suelta, grava suelta y hielo).
10. Para reducir el riesgo de lesiones, debes leer y respetar todos los avisos de "PRECAUCIÓN" y "ADVERTENCIA" en este documento. No circules a velocidad excesiva. En ningún caso debes circular en carreteras con los vehículos a motor. La edad recomendada por el fabricante está 14+ años. Respeta siempre estas instrucciones de seguridad:
  - A. Las personas que no deben usar el KickScooter incluyen:
    - i. Cualquier persona bajo la influencia del alcohol o las drogas.
    - ii. Cualquier persona que sufra una enfermedad que entrañe riesgo si realizan una actividad física extenuante.
    - iii. Cualquier persona que tenga problemas con el equilibrio o las habilidades motoras que interfieran en su capacidad para mantener el equilibrio.
    - iv. Cualquier persona cuyo peso esté fuera de los límites establecidos (ver las especificaciones).
    - v. Las mujeres embarazadas.
  - B. Los usuarios menores de 18 años solo deben usar el producto bajo supervisión adulta.
  - C. Respeta las normas y leyes locales cuando utilices este producto. No lo utilices donde lo prohíban las leyes locales.
  - D. Para usarlo con seguridad, debes poder ver claramente lo que tienes delante y debes ser fácilmente visible para los demás.
  - E. No circules en la nieve, en la lluvia ni en carreteras que estén mojadas, con barro, hielo o deslizantes por cualquier motivo. No circules sobre obstáculos (arena, grava suelta o palos). Si lo haces, podría ocasionar una pérdida de tracción o equilibrio y sufrir una caída.
11. No intentes recargar tu KickScooter si el producto, el cargador o el enchufe están mojados.
12. Como con cualquier dispositivo electrónico, utiliza un protector contra sobretensión durante la carga para proteger tu KickScooter contra daños causados por sobretensiones y subidas de voltaje. Utiliza exclusivamente el cargador facilitado por Segway. No utilices un cargador de modelos de producto diferentes.
13. Utiliza exclusivamente piezas y accesorios aprobados por Ninebot o Segway. No modifiques tu KickScooter. Las modificaciones de tu KickScooter podrían interferir con el funcionamiento del KickScooter, lo que podría ocasionar lesiones y/o daños graves y anular la garantía limitada.

## 2 Contenido del paquete

Manillar



Bastidor



Materiales del usuario



Segunda batería

	ES1	ES2	ES4
	Se vende por separado	Incluido	

Accesorios

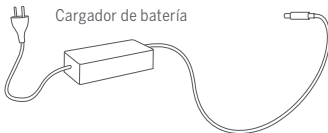
5 x tornillos de cabeza plana M5 (uno extra)



Llave hexagonal 3mm



Cargador de batería

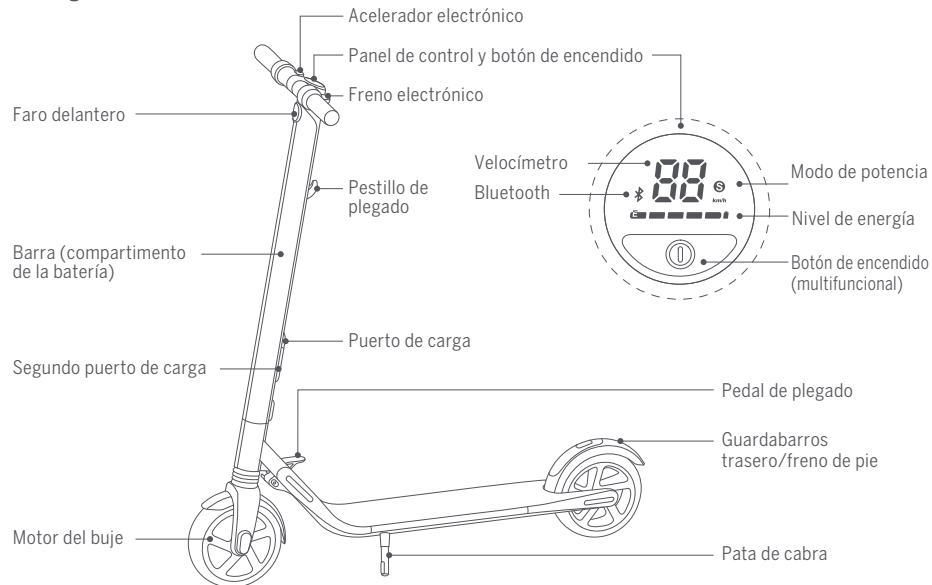


Al desembalar tu KickScooter, comprueba que el paquete incluya todos los elementos anteriores. Si falta algún componente, contacta con tu agente/distribuidor o con el centro de servicio más cercano (ver los datos de contacto en el manual de usuario). Después de comprobar que todos los componentes estén presentes y en buen estado, puedes ensamblar tu nuevo KickScooter.

Conserva la caja y los materiales de embalaje en caso de que necesites enviar tu KickScooter en el futuro.

Recuerda apagar tu KickScooter y desconectar el cable de carga antes de ensamblar, instalar accesorios o limpiar el bastidor.

## 3 Diagrama



### Panel de control y botón de encendido

Velocímetro: indica la velocidad actual. También muestra códigos de error si se detectan averías.

Nivel de energía: indica el nivel de batería restante mediante 5 barras. Cada barra equivale aproximadamente al 20 % de energía.

Modo de energía (pulsar el botón de encendido dos veces para cambiar de modo):

—Icono de "S" roja: Modo deportivo (máxima potencia/velocidad y menor autonomía).

—Icono de "S" blanca: Modo estándar (potencia/velocidad moderada y autonomía media).

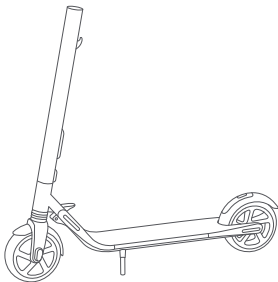
—Sin icono de "S": Modo de velocidad limitada (potencia/velocidad mínima y máxima autonomía).

Bluetooth: un icono de Bluetooth intermitente indica que el vehículo está listo para conectarse. Un icono de Bluetooth fijo indica que el vehículo está conectado a un dispositivo móvil.

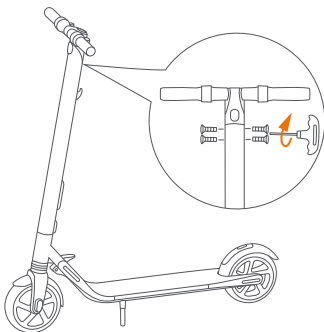
Botón de encendido: Pulsación breve para encender. Pulsación larga para apagar. Con el vehículo encendido, una pulsación para encender/apagar el faro delantero. Dos pulsaciones para cambiar el modo de energía.

## 4 Ensamblar tu KickScooter

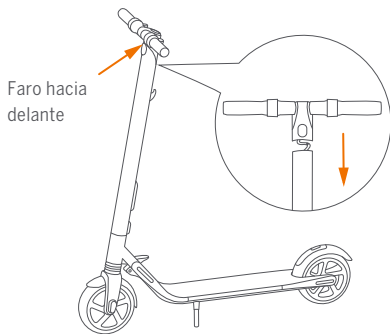
1. Despliega la barra y empuja hasta escuchar un clic. Después, despliega la pata de cabra para sujetar el patinete.



3. Aprieta los cuatro tornillos (dos a cada lado) con la llave hexagonal incluida.



2. Conecta con firmeza los cables en el interior del manillar y la barra. Acopla el manillar a la barra. Comprueba que esté bien orientado.



4. Comprueba que tu KickScooter se encienda y se apague.

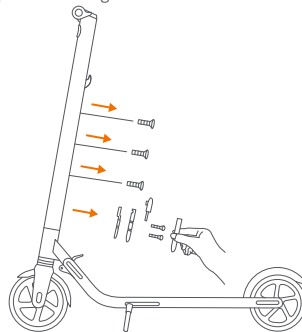


## 5 Instalar una segunda batería

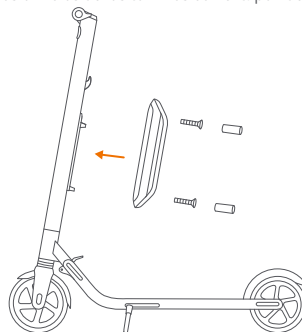
⚠ ¡Advertencia! utilice solo los tornillos que están incluidos en este producto.

Sigue estos pasos para instalar una segunda batería:

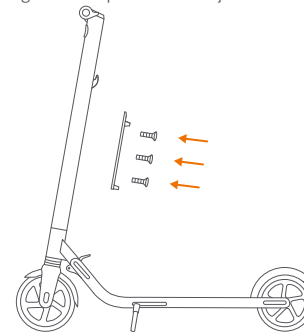
1. Retira los tres tornillos de la barra, como se indica. Después, retira la cubierta cerca del puerto de carga.



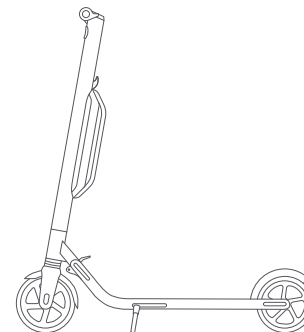
3. Instala la batería externa en la barra y fíjala con los tornillos M4 (20 mm) (2 piezas) incluidos en este producto. Después de que estén instalados correctamente, bloquea los orificios de los tornillos con el tapón de goma.



2. Instala la barra con los tornillos M4 (10 mm) (3 piezas) incluidos en este producto. Por favor, asegúrese de que está bien fijado.



4. Comprueba que tu KickScooter se encienda y se apague.



## 6 Primer uso

⚠ Existen riesgos de seguridad al aprender a manejar el KickScooter. Debes leer las instrucciones de seguridad mediante la app antes del primer uso.

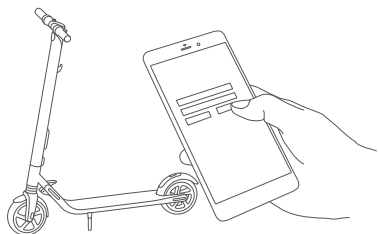
Por tu seguridad, tu nuevo KickScooter no está activado y emitirá pitidos regulares después de encenderlo.

Hasta activarlo, el KickScooter mantiene una velocidad muy baja y no puede utilizarse con todas sus funciones. Instala la app en tu dispositivo móvil (con Bluetooth 4.0 o superior), conéctalo al KickScooter por Bluetooth y sigue las instrucciones en la app para activar tu KickScooter y disfrutar de todas sus posibilidades.

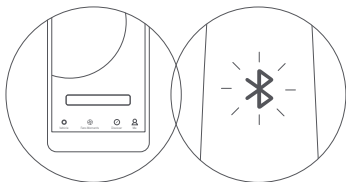
Escanea el código QR para descargar la app (iOS 8.0 o posterior, Android™ 4.3 o posterior).



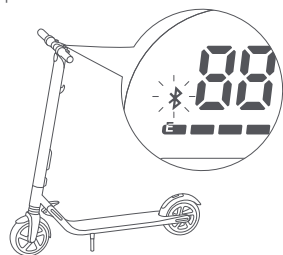
1 Instala la app y regístrate/conéctate.



3 Haz clic en "Search Device" para conectar tu KickScooter. El KickScooter emitirá un pitido cuando la conexión se establezca con éxito. El icono de Bluetooth dejará de parpadear y permanecerá encendido.



2 Enciende el KickScooter. Un icono de Bluetooth intermitente indica que el KickScooter está en espera de conexión.



4 Sigue las instrucciones de la app para activar el KickScooter y aprender a manejarlo con seguridad. Ahora puedes empezar a usar tu KickScooter, comprobar el estado mediante la app e interactuar con otros usuarios. ¡Que te diviertas!

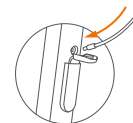
## 7 Cargar la batería



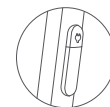
Proceso de carga consejos



Abre la tapa del puerto de carga.



Inserta la clavija de carga.



Cierra la tapa del puerto de carga cuando termines.

⚠ **ADVERTENCIA**

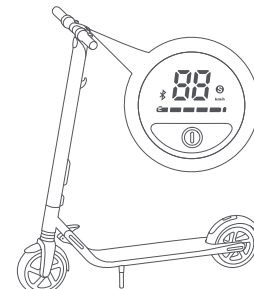
No conectes el cargador si el puerto o el cable de carga están mojados.

Tu KickScooter estará totalmente cargado cuando el LED del cargador pase de rojo (cargando) a verde (carga de mantenimiento). Cierra la tapa del puerto de carga cuando no lo utilices.

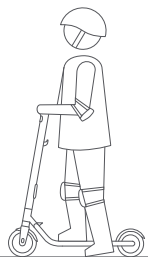
## 8 Aprender a manejar tu KickScooter



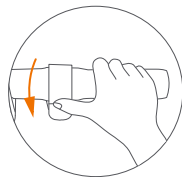
Utiliza un casco aprobado y otro equipamiento de protección para reducir la posibilidad de lesiones.



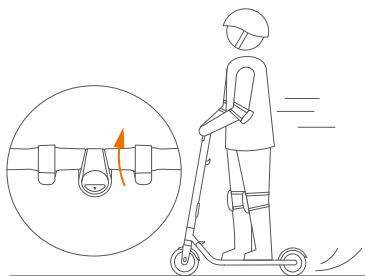
1. Enciende el patinete y comprueba el indicador del nivel de energía. Carga la batería si el nivel de energía es bajo.



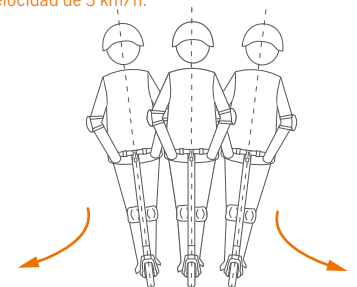
2. Coloca un pie sobre la plataforma y empuja con el otro pie para empezar a rodar.



3. Coloca ambos pies sobre la plataforma para mantenerte estable. Pulsa el acelerador con la mano derecha para acelerar cuando estés en equilibrio.  
**Ten en cuenta que, por tu seguridad, el motor no se activará hasta que el patinete alcance una velocidad de 3 km/h.**



4. Para reducir la velocidad, suelta el acelerador; presiona la palanca del freno y pisa al mismo tiempo el guardabarros trasero para aplicar el freno mecánico y obtener la máxima capacidad de frenado.



5. Para girar, inclina el cuerpo y gira ligeramente el manillar.

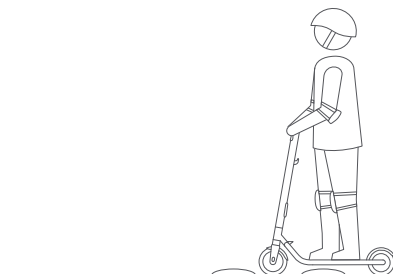
## 9 Advertencias

### ⚠ ADVERTENCIA

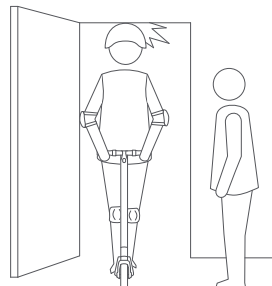
No respetar estas instrucciones puede ocasionar lesiones graves.



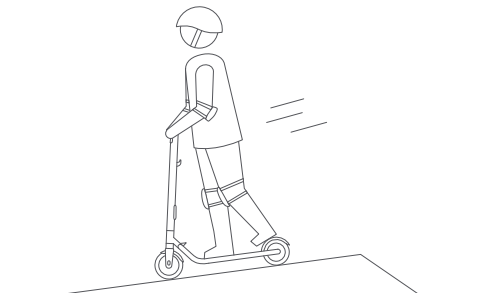
⚠ NO utilices el patinete con lluvia.



⚠ NO circules sobre badenes, bordillos, escalones u otros obstáculos a ALTA VELOCIDAD.



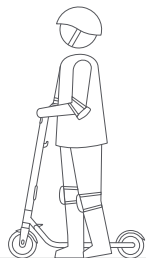
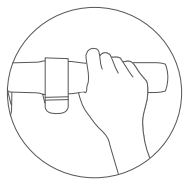
⚠ Ten cuidado con la cabeza al pasar bajo el marco de una puerta.




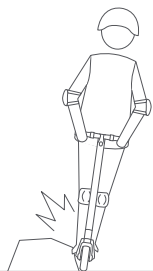
⚠ Controla tu velocidad al descender pendientes pronunciadas. Utiliza ambos frenos simultáneamente cuando circules a alta velocidad.


### ⚠ ADVERTENCIA

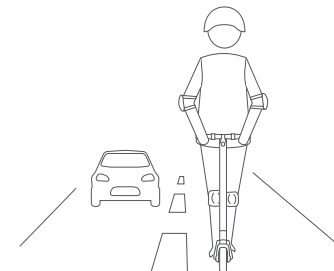
En caso de frenadas bruscas, corres el riesgo de sufrir lesiones graves a causa de pérdidas de tracción y caídas.  
Mantén una velocidad moderada y presta atención a posibles riesgos.




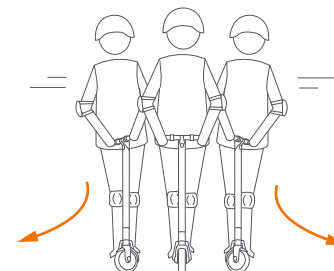
 NO pulses el acelerador cuando camines con el patinete.




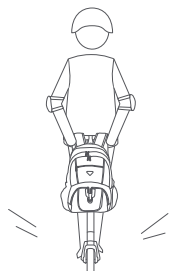
 Evita golpear obstáculos con el neumático o la rueda.



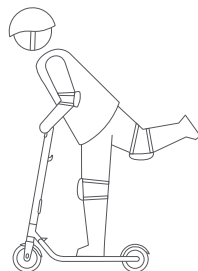
 NO circules por carreteras públicas, autovías ni autopistas.



 NO gires el manillar bruscamente cuando circules a alta velocidad.




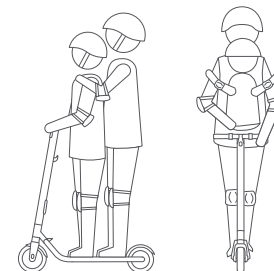
 NO transportes objetos pesados sobre el manillar.




 NO manejes el patinete con un solo pie.



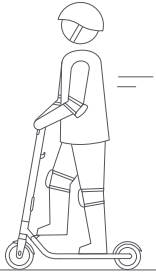
 NO cruces charcos ni otros cuerpos de agua con una profundidad de más de 2 cm.



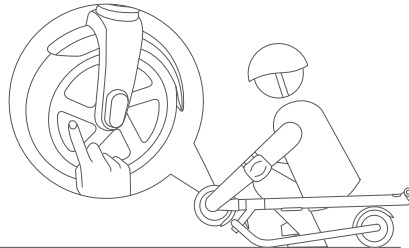
 El KickScooter es para un solo pasajero. No lo utilices con más de una persona ni lleves pasajeros. No transportes a niños.



## 10 Plegado y transporte



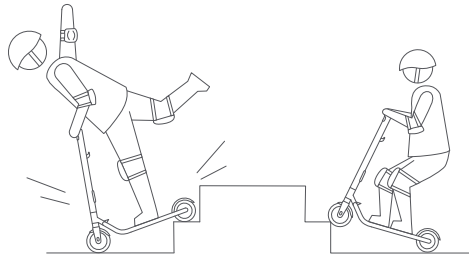
⚠ NO pises el pedal de plegado mientras circulas.



⚠ NO toques el motor del buje después de circular, pues podría estar caliente.



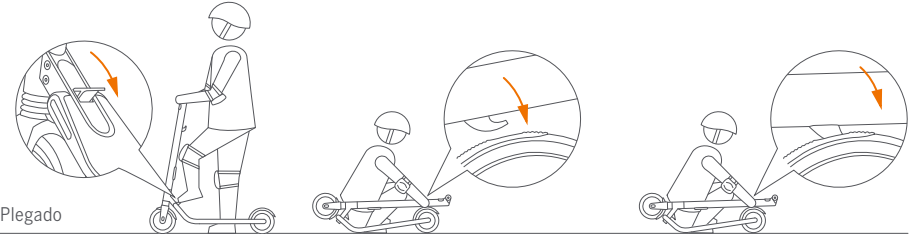
⚠ NO sueltes las manos del manillar mientras circulas. No conduzcas con una sola mano.



⚠ NO subas ni bajes escaleras ni circules sobre obstáculos.

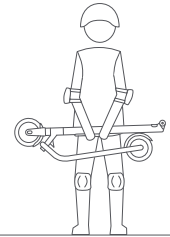
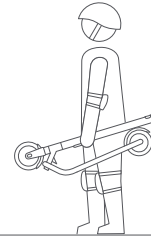
### ⚠ ADVERTENCIA

Mantén siempre las dos manos en el manillar o corres el riesgo de sufrir lesiones graves debido a pérdidas de equilibrio y caídas.



Plegado

Pisa el pedal de plegado mientras empujas el manillar hacia delante ligeramente. Después, pliega el manillar hacia abajo hasta que se enganche en el guardabarros trasero.



Transporte

Cuando tu KickScooter está plegado, puedes sujetarlo fácilmente por la barra para transportarlo.

## 11 Mantenimiento

### Limpeza y almacenamiento

Utiliza un paño suave húmedo para limpiar el bastidor. Puedes frotar la suciedad difícil con un cepillo de dientes y pasta de dientes antes de limpiarla con un paño suave húmedo. Los arañazos en las piezas de plástico pueden pulirse con papel abrasivo fino.

### NOTA

No laves tu KickScooter con alcohol, gasolina, acetona ni otros disolventes corrosivos o volátiles. Estas sustancias podrían dañar el aspecto y la estructura interna de tu KickScooter. No laves tu KickScooter con una manguera o limpiador a presión.

### ⚠ ADVERTENCIA

Asegúrate de que el KickScooter está apagado, el cable de carga está desconectado y la tapa de gorma del puerto de carga está bien cerrada antes de la limpieza; en caso contrario, podrías dañar los componentes electrónicos.

Guarda tu KickScooter en un lugar fresco y seco. No lo guardes en el exterior durante periodos de tiempo prolongados. La exposición a la luz solar y las temperaturas extremas (tanto altas como bajas) acelerará el proceso de envejecimiento de los componentes de plástico y podría reducir la vida útil de la batería.

### Mantenimiento de la batería

No guardes ni cargues la batería a temperaturas fuera de los límites establecidos (ver las especificaciones). No perfores la batería. Consulta las leyes y normativas locales acerca del reciclaje y/o desecho de la batería.

Una batería bien mantenida puede seguir funcionando bien después de recorrer muchos kilómetros. Carga la batería después de cada uso y evita agotar la batería por completo. Cuando se utiliza a temperatura ambiente (22 °C) el rendimiento y la autonomía de la batería están en su nivel óptimo, mientras que si se utiliza a temperaturas inferiores a 0 °C puede reducirse su rendimiento y autonomía. Normalmente, a -20 °C la autonomía puede ser la mitad que la misma batería a 22 °C. La autonomía de la batería se recuperará al aumentar la temperatura. Puedes encontrar más detalles en la app.

### NOTA

Normalmente, una batería completamente cargada debería conservar la carga durante 120-180 días en el modo de reposo. Una batería con poca carga debería conservar la carga durante 30-60 días en el modo de reposo. Recuerda cargar la batería después de cada uso. Agotar la batería por completo puede ocasionar daños permanentes a la misma. Los componentes en el interior de la batería registran el estado de carga-descarga de la batería; los daños causados por sobredescarga o infradescarga no están cubiertos por la garantía limitada.

### ⚠ ADVERTENCIA

No intentes desarmar la batería. Riesgo de incendio. No existen partes útiles para el usuario.

### ⚠ ADVERTENCIA

No monte en el dispositivo cuando la temperatura ambiente está fuera de los límites de la temperatura de funcionamiento de la máquina (ver Especificaciones) ya que una temperatura más baja o alta que la permitida en el dispositivo limitará la potencia/par máximo del mismo. Hacerlo podría causar lesiones personales o a la propiedad a causa de resbalones o de caídas.

## 12 Especificaciones

	Componente	ES1	ES2	ES4
Dimensiones	Desplegado: Largo x Ancho x Alto	40x17x45 in (102x43x113 cm)		
	Plegado: Largo x Ancho x Alto	45x17x13 in (113x43x32 cm)		
Peso	Neto	24.9 lbs (11.3 kg)	27.6 lbs (12.5 kg)	30.9 lbs (14.0 kg)
Usuario	Carga útil	55–220 lbs (25–100 kg)		
	Edad recomendada	14+ years		
	Altura necesaria	3' 11"–6' 6" (120–200 cm)		
Parámetros de la máquina	Velocidad máx.	12.4 mph (20 km/h)	15.5 mph (25 km/h)	18.6 mph (30 km/h)
	Autonomía típica <sup>[1]</sup>	15.5 miles (25 km)	15.5 miles (25 km)	28.0 miles (45 km)
	Pendiente máx.	10%	10%	15%
	Terreno apropiado	asfalto/pavimento plano; obstáculos < 1 cm; aberturas < 3 cm		
	Temperatura de funcionamiento	14–104°F (-10–40°C)		
	Temperatura de almacenamiento	-4–122°F (-20–50°C)		
Batería	Índice IP	IP54		
	Corriente nominal	36 VDC		
	Corriente de carga máx.	42 VDC		
	Temperatura de carga	32–104°F (0–40°C)		
	Capacidad nominal	187 Wh	187 Wh	374 Wh
	Sistema de gestión de la batería	Protección contra sobrecalentamiento, cortocircuito, sobrecorriente y sobrecarga		
Motor	Número de baterías <sup>[2]</sup>	1	1	2
	Potencia nominal	250 W	300 W	300 W
	Potencia máx.	500 W	700 W	800 W
Cargador	Salida nominal	71 W		
	Tensión nominal de entrada	100-240 VAC		
	Tensión nominal de salida	42 VDC		
	Corriente nominal	1.7 A		
	Duración de la carga	3.5 h	3.5 h	7 h
Características	Amortiguador	delantero	delantero y trasero	
	luz de freno	reflectante	Luz LED trasera	
	Luz de ambiente	N. d.	Color personalizable	
	Modos de funcionamiento	Modo de velocidad limitada, modo estándar y modo deportivo		

[1] Autonomía típica: probado circulando a potencia máxima, con una carga de 75 kg, a una temperatura de 25 °C, a una media del 60 % de la velocidad máxima sobre pavimento.

[2] Todos los modelos de KickScooter admiten una segunda batería. Algunos de los parámetros cambiarán en tal caso.

## 13 Homologaciones

Este producto se ha sometido y ha superado las pruebas de ANSI/CAN/UL-2272.

La batería es conforme con UN/DOT 38.3

El Segundo pack de baterías cumple con la ANSI/UL 2271 y UN/DOT 38.3.

Declaración de conformidad con la Comisión Federal de Comunicaciones (FCC) para los EE. UU.

Este dispositivo cumple la parte 15 de las normas FCC. La utilización está sujeta a las dos condiciones siguientes: (1) Este dispositivo no puede causar interferencias peligrosas y (2) este dispositivo debe aceptar cualquier interferencia recibida, incluidas las interferencias que puedan causar un funcionamiento no deseado.

### NOTA

Este equipo se ha probado y determinado que cumple los límites para un dispositivo digital de clase B, de conformidad con la parte 15 de las normas FCC. Dichos límites están diseñados para ofrecer protección razonable contra interferencias perjudiciales en una instalación residencial. Este equipo genera, utiliza y puede radiar energía en forma de radiofrecuencia y, si no se instala y utiliza de acuerdo con las instrucciones, puede causar interferencias perjudiciales para las radiocomunicaciones. No obstante, no se ofrece garantía alguna de que no se produzcan interferencias en una instalación determinada. Si el equipo produce interferencias perjudiciales para la recepción de radio o televisión, lo cual podrá determinarse apagando y encendiendo el equipo, se recomienda al usuario que intente corregir las interferencias mediante una o varias de las siguientes medidas:

- Reorientar la antena receptora o cambiarla de posición.
- Aumentar la distancia entre el equipo y el receptor.
- Conectar el equipo a un enchufe en un circuito diferente del circuito al cual está conectado el receptor.
- Solicitar ayuda al distribuidor o a un técnico especialista en radio/TV.

Este equipo cumple los límites de exposición de radiación de la FCC establecidos para un entorno no controlado.

Declaración de conformidad con Industry Canada (IC) para Canadá

Este dispositivo cumple las normas RSS exentas de licencia de Industry Canada. La utilización está sujeta a las dos condiciones siguientes: (1) Este dispositivo no puede causar interferencias nocivas y (2) este dispositivo debe aceptar cualquier interferencia recibida, incluidas las interferencias que puedan causar un funcionamiento no deseado del dispositivo.

CAN ICES-3 (B)/NMB-3(B)

Ni Segway Inc. ni Ninebot asumen responsabilidad alguna por cambios o modificaciones no aprobados expresamente por Segway Inc. o Ninebot. Dichas modificaciones pueden anular la autoridad del usuario para utilizar el equipo.

Para el modelo: ES1/ES2/ES4  
FCC ID: 2ALS8-NT9527  
IC: 22636-NT9527

### Declaración de conformidad de la Unión Europea Información de reciclaje de baterías para la Unión Europea



Las baterías o embalajes para baterías están etiquetados de acuerdo con la Directiva europea 2006/66/CE acerca de baterías y acumuladores y residuos de baterías y acumuladores. La Directiva determina el marco para la devolución y reciclaje de las baterías y acumuladores usados que se encuentra en vigor en toda la Unión Europea. Esta etiqueta se aplica a varias baterías para indicar que la batería no debe desecharse, sino que debe recuperarse al final de su vida útil según esta Directiva.

De acuerdo con la Directiva europea 2006/66/CE, las baterías y acumuladores están etiquetados para indicar que deben recogerse por separado y reciclarse al final de su vida útil. La etiqueta de la batería también puede incluir un símbolo químico para el metal empleado en la batería (Pb para plomo, Hg para mercurio y Cd para cadmio). Los usuarios de baterías y acumuladores no deben desechar dichas baterías y acumuladores como residuos municipales no clasificados, sino que deben usar el marco de recogida disponible para los clientes para la devolución, reciclaje y tratamiento de las baterías y acumuladores. La participación de los clientes es importante para minimizar los posibles efectos de las baterías y acumuladores sobre el medio ambiente y la salud humana derivados de la posible presencia de sustancias peligrosas.

Directiva de restricción de sustancias peligrosas (RoHS)

Los productos de Ninebot comercializados en la Unión Europea a partir del 3 de enero de 2013 cumplen los requisitos de la Directiva 2011/65/EU acerca de la restricción del uso de determinadas sustancias peligrosas en equipos eléctricos y electrónicos ("reformulación de RoHS" o "RoHS 2").

Directiva de equipos radioeléctricos y terminales de telecomunicación



Segway Europe B.V.

Dirección de contacto en Europa exclusivamente para cuestiones de normativa: Hogehilweg 8, 1101CC Ámsterdam (Países Bajos).

Ninebot (Changzhou) Tech Co., Ltd, declara por la presente que el equipo inalámbrico enumerado en esta sección es conforme con los requisitos esenciales y otras disposiciones relevantes de la Directiva 2014/53/EU.

## 14 Marca comercial y declaración legal

Ninebot y el icono de la silueta son marcas registradas de Ninebot (Tianjin) Tech. Co., Ltd; Segway es la marca comercial registrada de Segway Inc.; Android y Google Play son marcas comerciales de Google Inc. App Store es una marca de servicio de Apple Inc. Los respectivos propietarios se reservan los derechos de las marcas comerciales mencionadas en este manual.

El KickScooter está cubierto por las patentes relevantes. Para consultar la información sobre las patentes, visita <http://www.segway.com>.

Hemos intentado incluir descripciones e instrucciones para todas las funciones del KickScooter en el momento de imprimir este manual. Sin embargo, tu KickScooter puede ser ligeramente distinto del mostrado en este documento. Visita el Apple App Store (iOS) o el Google Play Store (Android) para descargar e instalar la app.

Ten en cuenta que existen numerosos modelos de Segway y Ninebot con diferentes funciones y algunas de las funciones mencionadas podrían no corresponder a tu unidad. El fabricante se reserva el derecho a modificar el diseño y las funciones del producto KickScooter y la documentación sin previo aviso.

© 2017 Segway Inc. Todos los derechos reservados.

## 15 Contacto

Contacta con nosotros si tienes problemas relacionados con el uso, mantenimiento y seguridad, o con errores/averías de tu KickScooter.

América:  
Segway Inc.  
14 Technology Drive, Bedford, NH 03110, EE. UU.  
Teléf.: 1-603-222-6000  
Fax: 1-603-222-6001  
Número gratuito: 1-866-473-4929  
E-mail para ventas: [customeroperation@segway.com](mailto:customeroperation@segway.com)  
E-mail para servicio: [technicalsupport@segway.com](mailto:technicalsupport@segway.com)  
Página web: [www.segway.com](http://www.segway.com)

Europa, Oriente Medio y África:  
Segway Europe B.V.  
Hogehilweg 8, 1101CC Ámsterdam (Países Bajos)  
E-mail para servicio: [service@segway.eu.com](mailto:service@segway.eu.com)  
Página web: [www.segway.com](http://www.segway.com)

Ten a mano el número de serie de tu KickScooter cuando te pongas en contacto con Segway.

Puedes encontrar tu número de serie en la parte inferior de tu KickScooter o en la app en Otros ajustes → Información básica.